



# SkeeterVac<sup>®</sup>

The Mosquito Exterminator



## Owner's Manual

Model#CPSV002704

**SV-27**

Save these instructions for future reference. If you are assembling this unit for someone else, give this manual to him or her to read and save for future reference.

While information in this manual is based on the latest information available at the time of publication, we reserve the right to change it at any time, without notice.



**DO NOT RETURN TO STORE, THIS PRODUCT IS  
UNDER MANUFACTURER'S WARRANTY.  
CALL 1.888.753.7137 FOR ASSISTANCE.**



### **GENERAL HAZARD WARNING**

FAILURE TO COMPLY WITH THE PRECAUTIONS AND INSTRUCTIONS PROVIDED WITH THIS APPLIANCE, CAN RESULT IN DEATH, SERIOUS BODILY INJURY AND PROPERTY LOSS OR DAMAGE FROM HAZARDS OF FIRE, EXPLOSION, BURN, ASPHYXIATION, CARBON MONOXIDE POISONING, AND/OR ELECTRIC SHOCK.

IF YOU NEED ASSISTANCE OR APPLIANCE INFORMATION SUCH AS AN INSTRUCTIONS MANUAL, LABELS, ETC. CONTACT THE MANUFACTURER.



### **WARNING**

FOR YOUR SAFETY:

If you smell gas:

1. Shut off gas to the appliance.
2. Extinguish any open flame.
3. If odor continues, immediately call your gas supplier or your fire department.



### **WARNING**

FOR YOUR SAFETY:

1. Do not store or use gasoline or other flammable vapors and liquids in the vicinity of this or any other appliance.
2. An LP gas tank not connected for use shall not be stored in the vicinity of this or any other appliance.



### **WARNING**

FOR YOUR SAFETY:

1. Gas leaks may cause a fire or explosion which can cause serious bodily injury or death, or damage to property.
2. You must follow all leak-checking procedures before operating this unit.
3. Never use an open flame to check for leaks.



### **WARNING**

California Proposition 65

Chemicals known to the State of California to cause cancer, birth defects, or other reproductive harm are created by the combustion of propane.



## Owner's Manual

### Contents

Safety First! .....	2
Important Information .....	3
a. Important Information About Octenol	
b. Important Information About Ultraviolet Light	
c. Mosquito Facts	
d. Controlling Mosquitoes	
e. Helpful Links	
Quick & Easy Assembly .....	4
Parts List .....	5
Operation.....	6
a. Placement	
b. FineTune®: Customizing the Lure Output	
c. To Start	
d. To Turn Off	
Maintenance.....	7
a. Routine Service	
b. Routine Maintenance: Keeping Air Packages Clear	
c. Replacing Ignitor Battery	
d. End of Season Storage	
Warranty.....	10
a. Product Registration	
b. Limited Warranty	

## Blue Rhino Global Sourcing, LLC

104 Cambridge Plaza Drive

Winston-Salem, North Carolina 27104 USA

Phone: 888.753.7137

24 Hour Fax: 336.659.6743

Email: [Help@SkeeterVac.com](mailto:Help@SkeeterVac.com)

U.S. Patent Pending

©2004 Blue Rhino Global Sourcing, LLC. All Rights Reserved.

SkeeterVac® and FineTune® are registered trademark of Blue Rhino Global Sourcing, LLC. WaveDrawer™ and TacTrap™ are trademarks of Blue Rhino Global Sourcing, LLC. All Rights Reserved.

Blue Rhino® is a registered trademark of Ferrellgas, L.P.  
All Rights Reserved.

Congratulations on the purchase of your new SkeeterVac® device from Blue Rhino®. This product incorporates scientific research and technological and mechanical innovation to bring you a safe, simple and effective approach to mosquito control that will allow you to better enjoy outdoor living.



### WARNING

**Please read and understand entire contents of this Owner's Manual before starting or operating your SkeeterVac® device. If you do not understand anything please contact 1.888.753.7137 before proceeding.**

This product will provide the following results when used as directed:

- Attract, trap and kill certain flying biting insects such as mosquitoes, no-see-ums, midges, sand flies and black flies.
- Reduce the nuisance of certain flying biting insects.
- Over a 4-6 week period reduce overall mosquito populations by exterminating egg laden female mosquitoes.

This product is *not* capable of:

- Completely eliminating biting insect populations.
- Eliminating the possibility of disease from flying biting insects.

### Important Notices and Safety Warnings

- Product performance can vary due to weather, wind and other environmental conditions.
- It is a violation of Federal law to use this product in a manner inconsistent with its labeling.
- FOR OUTDOOR USE ONLY - NEVER use indoors.
- Buyer assumes all responsibility for safety and use not in accordance with directions.
- Locate your SkeeterVac® device outdoors at least 5 feet from combustible materials.

- Minimum clearance from unit to combustible construction, 21 inches from sides and 21 inches from back. Do not locate this appliance under overhead unprotected combustible surfaces
- NEVER use near gasoline or other flammable vapors or liquids.
- Keep air intake areas clear of dust, dirt and debris
- Do not allow children to operate or play near a SkeeterVac® device when it is in use.
- NEVER move a SkeeterVac® device when in use.
- Inspect for damage and wear during each maintenance cycle.
- The hose assembly shall be visually inspected on an annual basis. If it is evident there is excessive abrasion or wear, or if the hose is cut, it must be replaced prior to the appliance being put in operation. The replacement hose assembly shall be that specified by the manufacturer

### CAUTION: Use only the gas regulator supplied with this appliance

- Never operate if parts are damaged, missing or improperly installed.
- Use only quality propane and 20# DOT approved tanks from a reliable source such as Blue Rhino Corporation.
- Always transport your tank in a secure, well-ventilated location in your vehicle. Tank should be upright with valve turned off. Tank should be taken directly to and from place of use.
- It is recommended to use only FineTune® mosquito attractant in your SkeeterVac®. The use of other attractants has not been tested with your product, and void your warranty.
- Maximum inlet gas supply pressure is 11 inch water column



### Important Information

Your SkeeterVac<sup>®</sup> device operates 24 hours a day to help reduce the nuisance of mosquitoes. It attracts female mosquitoes that are seeking a blood meal to nourish their eggs. By removing these females you also remove their eggs.

- It may take up to 3-4 weeks to see a noticeable reduction in the nuisance. Be patient
- Begin operating your SkeeterVac<sup>®</sup> device once low temperatures remain above 50°F
- To reduce and maintain mosquito populations it is important for your SkeeterVac<sup>®</sup> device to operate continuously. Do not turn SkeeterVac<sup>®</sup> off and replace tank as soon as it is empty
- Always contact our experts before returning product to place of purchase

### Important Information About Octenol

Your SkeeterVac<sup>®</sup> device includes a lure that contains octenol (1-octen-3-ol). This pesticide is an effective attractant supplement for some mosquito species.

#### **KEEP OUT OF REACH OF CHILDREN**

**CAUTION: Harmful if swallowed, absorbed through the skin or inhaled. Avoid contact with skin, eyes and mouth. Wash hands thoroughly with soap and water after handling.**

### Important Information About Ultraviolet Light

This device radiates intense ultraviolet (UV) light when operated.

**CAUTION: Do not look directly at the device during operation. Exposure to UV light, even for a brief period, can damage your eyes.**

For expert assistance call toll free - 1.888.753.7137. Always contact our experts before returning product to place of purchase.

### Mosquito Facts

- About 3,000 species of mosquitoes have been identified on a worldwide basis. Approximately 150 are known to exist in North America
- There are approximately 25 known “human nuisance species” of mosquitoes
- Most adult mosquitoes only have a life span of 2-4 weeks
- Only female mosquitoes bite

- Mosquitoes are very effective at reproducing - attracting, trapping and killing just one female mosquito at the start of mosquito season can prevent the birth of up to 25,000 more mosquitoes that season alone!

### Controlling Mosquitoes

In addition to properly installing and using a SkeeterVac<sup>®</sup> device, you can reduce mosquito breeding around your home significantly by reducing the amount of water that is stagnating on your property. Be aware that mosquitoes can and will develop in any puddle or pool of water that lasts more than 4 days.

- Dispose of cans, plastic containers, pots, or similar water-holding containers that have accumulated on your property
- Drill holes in the bottom of containers that you must leave out of doors – trash cans, recycling bins, etc
- Clean clogged roof gutters on an annual basis
- Turn over plastic wading pools when not in use
- Turn over wheelbarrows, empty planters, or children’s toys when not in use
- Don’t allow water to stagnate in birdbaths
- Aerate ornamental pools or stock them with fish
- Clean and chlorinate swimming pools that are not being used. Don’t forget that mosquitoes breed in the water that collects on swimming pool covers
- Use landscaping features or drainage tools to eliminate standing water that collects in low spots on your property

### Helpful Links

More information about mosquitoes in the United States can be found on the following sites, among many others.

- The American Mosquito Control Association  
<http://www.mosquito.org>
- US Environmental Protection Agency  
<http://www.epa.gov/pesticides/factsheets/skeeters.htm>
- National Center for Infectious Diseases  
<http://www.cdc.gov/ncidod/diseases/listmosquitoborne.htm>

None of the agencies listed above is an endorser of the SkeeterVac<sup>®</sup> device, and inclusion on the list above does not signify that they endorse the SkeeterVac<sup>®</sup> device. Links provided for customer information only.

## Quick & Easy Assembly

To complete assembly you will need:

- 1 precision-filled standard grill LP gas tank (20#) with external valve threads
- 4 oz. leak check solution - mix 1 part dishwashing soap with 3 parts water



**Tip:** to locate a retailer in your neighborhood that provides precision-filled tanks, visit [www.bluerhino.com](http://www.bluerhino.com) or call toll free 1.800.258.7466.

### 1. Attach Post to Base

- Slide post into base
- Press down until snaps engage

### 2. Install Igniter Battery

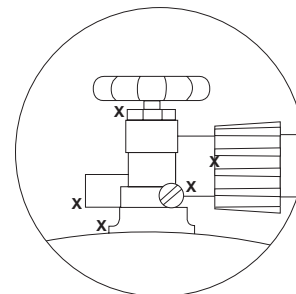
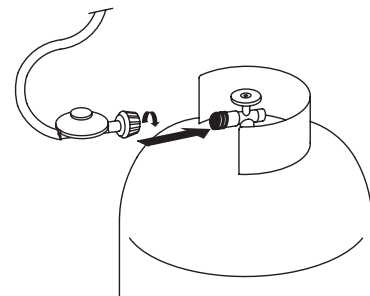
- Open battery compartment by turning cap on bottom of engine counter clockwise
- Place the supplied AA battery into compartment – negative (-) end goes in first
- Secure cap by turning clockwise until it stops

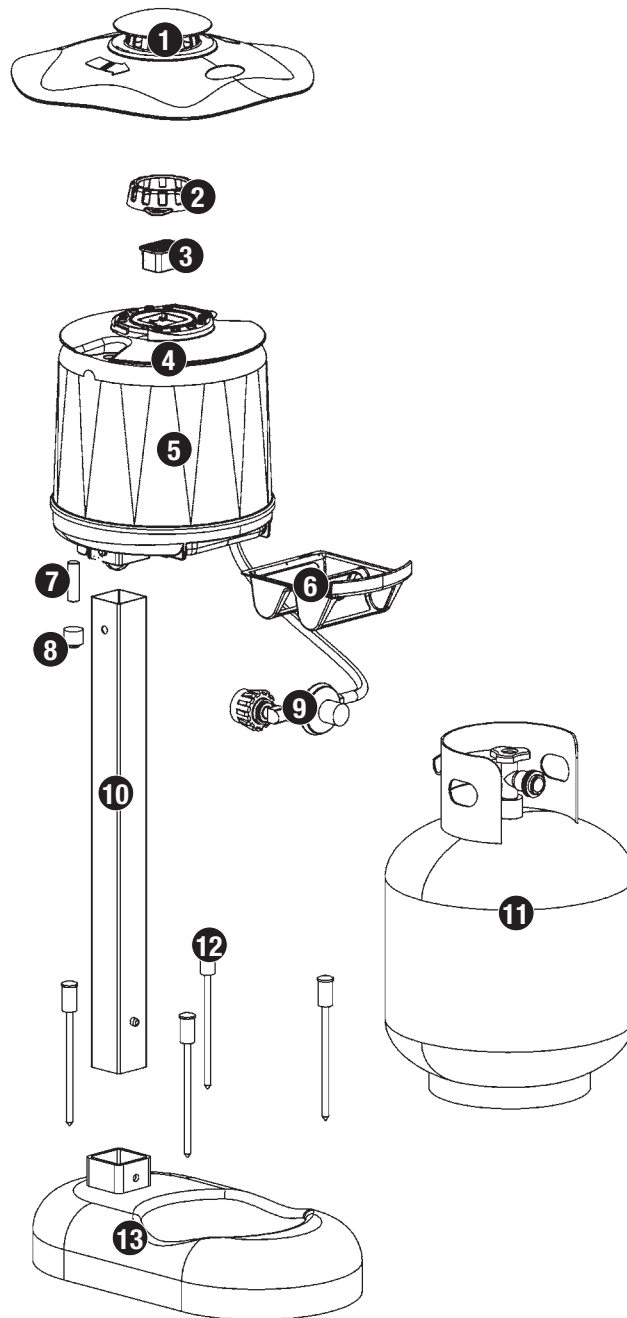
### 3. Attach Engine to Post

- Place engine onto post
- Press down until the snaps engage
- Slide WaveTrap™ into engine
- Position FineTune™ ring and lure in place
- Place rain cover on engine and twist clockwise to secure

### 4. Install LP gas tank

- Use only DOT approved 20# tanks with collar fully intact
- Place full LP gas tank upright on cart so system is arranged for vapor withdrawal
- Secure tank by attaching tank retention chain
- Connect gas line to tank by turning knob clockwise until it stops
- Turn tank ON and test for leaks
  - Spoon leak check solution at all “x” locations
  - If any bubbles appear turn tank OFF, reconnect and re-test
  - If no bubbles appear after one minute turn tank OFF, wipe away solution and proceed
- Place cover over tank





- |   |                 |   |                 |
|---|-----------------|---|-----------------|
| 1. Rain Cover . . . . .                   | A57-04-556      | 8. Battery Cap . . . . .                            | A57-04-555      |
| 2. FineTune® Ring . . . . .               | A57-04-194      | 9. Low Pressure Hose & Regulator Assembly . . . . . | A57-04-561      |
| 3. FineTune® Biting Insect Lure . . . . . | Sold Separately | 10. Post . . . . .                                  | A57-04-574      |
| 4. Engine . . . . .                       | A57-04-027      | 11. LP Gas Tank . . . . .                           | Sold Separately |
| 5. TacTrap™ . . . . .                     | Sold Separately | 12. Security Stake (4) . . . . .                    | A57-04-572      |
| 6. Wave Drawer™ . . . . .                 | 57-04-558       | 13. Base . . . . .                                  | A57-04-577      |
| 7. AA Battery . . . . .                   | Sold Separately | 14. Tank Cover - vinyl* . . . . .                   | 57-04-304       |

\* Not shown.

## Placement

The use and installation of this product must conform to local codes. In absence of local codes, use the National Fuel and Gas Code, ANSI Z223.1/NFPA 54, Storage and Handling of Liquefied Petroleum Gases, ANSI/NFPA 58 or CSA B149.1, Natural Gas and Propane Installation Code.

Properly positioning your SkeeterVac<sup>®</sup> device is important to maximizing performance. Since the SkeeterVac<sup>®</sup> device attracts mosquitoes it should be placed at least 10 feet from your living areas.

Mosquitoes typically live in areas that are shady, wet and / or moist. Determine the primary mosquito habitat and place your SkeeterVac<sup>®</sup> device as close as possible to it.

If you live in an area with consistent wind, place your SkeeterVac<sup>®</sup> device upwind from the primary mosquito habitat.

### **CAUTION: Tipping danger. Use stakes to secure.**

Once you have selected the location, secure the SkeeterVac<sup>®</sup> device by placing a stake in each of the (4) stake holes.

Maximum performance may require relocating your SkeeterVac<sup>®</sup> device from time to time. To move, remove stakes, place your foot on the cart base and tilt backward by holding the handle. Pull to the new location. Re-install stakes.

## FineTune<sup>®</sup>: Customizing the Lure Output

The amount of octenol your SkeeterVac<sup>®</sup> device dispenses is important to maximizing performance. Some mosquito species are highly attracted to octenol while others are less attracted.

This product contains an easy-to-use feature that allows you to customize the amount of octenol released to match the species in your environment.

1. Remove rain cover by turning counterclockwise
2. Remove foil seal from the Biting Insect Lure
3. Place lure back into holder with holes orienting upward

4. From the illustrations provided on the engine label, select the environment that best matches the area you are protecting
5. Position the ring so it points to your environment

## To Start

1. With the rain cover removed, turn gas ON at LP gas tank by slowly turning valve counterclockwise 2 full turns and be prepared IMMEDIATELY to follow step 2
2. IMMEDIATELY press and hold the red igniter button down until you hear a "POP" sound indicating ignition. Normally occurs within 20 seconds
3. The needle on the engine gauge should begin to move into the green zone, indicating ignition is complete

### **CAUTION: If needle does not move within 20 seconds after "POP", shut gas off at tank and wait 3 to 5 minutes before attempting to restart the engine**

4. Replace the rain cover

## To Turn Off

Turn gas OFF at tank by turning valve clockwise until it stops

### **CAUTION: The gas supply must be turned off at the LP gas tank when this outdoor gas appliance is not in use.**





### Routine Service

To ensure maximum performance and to lengthen the life of your SkeeterVac<sup>®</sup> device, perform these steps each time your tank is empty. This model will consume a standard 20# LP gas tank every 19-21 days.

1. Turn valve on propane LP gas tank OFF
2. Disconnect gas line from LP gas tank by turning knob counterclockwise
3. Remove empty tank replace with full LP gas tank
4. Reconnect gas line to LP gas tank by turning knob clockwise
5. Remove tank cover from empty LP gas tank and place on full LP gas tank
6. Remove WaveDrawer<sup>™</sup>, empty and slide back in place
7. Remove rain cover from top of SkeeterVac<sup>®</sup>
8. Remove used TacTrap<sup>™</sup> and dispose of properly
9. Slide fresh TacTrap<sup>™</sup> in place and remove protective paper
10. \*Remove used lure (if necessary) and properly dispose
11. Remove fresh lure from package (if necessary). Dispose of packaging properly
12. Place fresh lure into well (if necessary)
13. Set FineTune<sup>®</sup> ring to desired setting
14. Check engine and gas lines for any sign of damage or missing parts. Repair any problems before attempting to start
15. To start - follow instructions "To Start" on page 6
16. Once started, securely attach the rain cover
17. Wash hands with soap and water

\*Lure lasts 60 days

### Replacing Igniter Battery

If you do not hear a clicking sound when the igniter button is depressed, the battery may have lost its charge. Replace battery as follows:

- Open battery compartment by turning cap on bottom of engine counterclockwise
- Remove used battery and properly dispose
- Place fresh AA battery into compartment – negative (-) end goes in first
- Secure cap by turning clockwise until it stops

### End of Season Storage

To lengthen the life of your SkeeterVac<sup>®</sup> device, perform these simple steps at the end of the mosquito season.

1. Turn valve on LP gas tank OFF
2. Disconnect gas line from tank by turning knob counterclockwise
3. Remove tank cover
4. Remove LP gas tank and store outdoors away from children and must not be stored in a building, garage or other enclosed area
5. Remove and properly dispose of the TacTrap<sup>™</sup> and lure
6. Cover your SkeeterVac<sup>®</sup> device to protect from dust and store it in a cool dry place

**CAUTION: Storage of an outdoor gas appliance indoors is only permissible if the tank is disconnected and removed from the outdoor gas appliance.**

### Routine Maintenance – Keeping Air Passages Clear

For your mosquito exterminator to operate properly, the vacuum fan must function without restriction. It is important to check for freedom of operation and to clean the fan to prevent any possibility of blockage or restriction. If the fan is blocked and left blocked for several days or more, the warmth from operation can seriously damage the unit.



#### To Inspect

Perform every 2 days when in operation.

Tools Required: Flashlight

1. Remove rain cover, FineTune® ring and lure.
2. Check vacuum path around appliance by pointing flashlight into the gap between cover and black engine body. See illustration 1.
3. Check fan area by pointing flashlight beam through center of engine cover into fan area. See illustration 2.
4. If passages are clear and fan is operating properly, replace FineTune® ring, lure and rain cover. If not, clean.

#### To Clean

Perform whenever there is enough build-up to slow or stop fan operation.

Tools Required: Phillips screwdriver and/or pliers, cleaner, cloth, plastic knife.

- 1. Safety First!** – Shut engine OFF by turning gas tank valve to CLOSED position. Disconnect regulator from tank by turning black knob counterclockwise. Wait for engine to cool to the touch.



## 2. Clean Air Passages

- Remove rain cover, sticky trap, FineTune<sup>®</sup> ring and lure.
- Locate all screws and/or bolts that connect engine cover to engine body. See illustration 3.

*Note:* certain models require you to cut a hole through the labels.

- Remove engine cover by removing screws and/or bolts and unplugging lighting. See illustration 4.
- Spray dirty engine body, fan area and engine cover with glass cleaner (i.e. Windex<sup>®</sup>) or a citrus based degreaser. See illustration 5.

**NOTICE** – Never use cleaning fluid or petroleum based fuels and avoid contact with LED lighting and fan motor to avert damage.

- Allow cleaners to soak in then wipe all surfaces clean and dry with a cloth. See illustration 6. If there is stubborn build-up, remove it by scrapping with a plastic knife. See illustration 7.
- Reconnect LED lighting and plastic engine cover. Replace sticky trap, FineTune<sup>®</sup> ring, lure and rain cover.

## 3. Clean Turbo Scoop

- Remove WaveDrawer<sup>™</sup> and remove engine from post or cart.
- Remove plastic plug in bottom of metal engine by reaching up through exhaust hole. See illustration 8.
- Turn engine head upside down to remove debris from turbo scoop.
- Replace plastic plug. Place engine back on post or cart and replace WaveDrawer<sup>™</sup>.

- 4. **Reconnect** regulator to tank by turning clockwise. Perform leak test before re-starting.



## Warranty

### Product Registration

Please register your SkeeterVac® device immediately. To register visit [www.SkeeterVac.com](http://www.SkeeterVac.com) or call 1.888.753.7137 toll free.

### Limited Warranty

Blue Rhino Global Sourcing, LLC ("Vendor") warrants to the original retail purchaser of this mosquito elimination device, and to no other person, that if this mosquito elimination device is assembled and operated in accordance with the printed instructions accompanying it, then for a period of one (1) year from the date of purchase, all parts in such mosquito elimination device shall be free from defects in material and workmanship. Vendor may require reasonable proof of your date of purchase from an authorized retailer or distributor. Therefore, you should retain your sales slip or invoice. This Limited Warranty shall be limited to the repair or replacement of parts, which prove defective under normal use and service and which Vendor shall determine in its reasonable discretion upon examination to be defective. Before returning any parts, you should contact Vendor's Customer Service Department using the contact information listed below. If Vendor confirms, after examination, a defect covered by this Limited Warranty in any returned part, and if Vendor approves the claim, Vendor will replace such defective part without charge. If you return defective parts, transportation charges must be prepaid by you. Vendor will return replacement parts to the original retail purchaser, freight or postage prepaid.

This Limited Warranty does not cover any failures or operating difficulties due to accident, abuse, misuse, alteration, misapplication, improper installation or improper maintenance or service by you or any third party, failure to perform normal and routine maintenance on the mosquito elimination device, shipping damage, normal adjustment to burner, damage or repairs related to insects, birds, or animals of any kind, and damage due to weather conditions as set out in this owner's manual. In addition, the Limited Warranty does not cover damage to the finish, such as scratches, dents, discoloration, rust or other weather damage, after purchase.

This Limited Warranty is in lieu of all other express warranties. Vendor disclaims all warranties for products that are purchased from sellers other than authorized retailers or distributors. AFTER THE PERIOD OF THE ONE (1)-YEAR EXPRESS WARRANTY, VENDOR DISCLAIMS ANY AND ALL IMPLIED WARRANTIES, INCLUDING WITHOUT LIMITATION THE IMPLIED WARRANTIES OF MERCHANTABILITY AND FITNESS FOR A PARTICULAR PURPOSE. FURTHER, VENDOR SHALL HAVE NO LIABILITY WHATSOEVER TO PURCHASER OR ANY THIRD PARTY FOR ANY SPECIAL, INDIRECT, PUNITIVE, INCIDENTAL, OR CONSEQUENTIAL DAMAGES. Vendor assumes no responsibility for any defects caused by third parties. This Limited Warranty gives the purchaser specific legal rights; a purchaser may have other rights depending upon where he or she lives. Some jurisdictions do not allow the exclusion or limitation of special, incidental or consequential damages, or limitations on how long a warranty lasts, so the above exclusion and limitations may not apply to you.

Vendor does not authorize any person or company to assume for it any other obligation or liability in connection with the sale, installation, use, removal, return, or replacement of its equipment, and no such representations are binding on Vendor.

Blue Rhino Global Sourcing, LLC  
104 Cambridge Plaza Drive  
Winston-Salem, North Carolina 27104 USA  
Phone: 888.753.7137  
24 Hour Fax: 336.659.6743  
Email: [Help@SkeeterVac.com](mailto:Help@SkeeterVac.com)









# Try Exchange and SAVE \$4 After Mail-in Rebate

Spark Something Fun™ with Blue Rhino Propane!



**It's Easy:**

Exchange for a full, clean tank, or buy a full tank.

**It's Convenient:**

Available at more than 28,500 locations. Visit [www.bluerhino.com](http://www.bluerhino.com) and/or call 800.258.7466 for a list of retail locations near you.

**It's Safe:**

Filled by trained professionals in controlled environments.

**Plus:**

You get a FREE FuelCheck™ indicator.



MANUFACTURER'S MAIL-IN REBATE EXPIRES 12/31/05

## Try Exchange and SAVE \$4 After Mail-In Rebate!

Name \_\_\_\_\_

Address \_\_\_\_\_

City \_\_\_\_\_ State \_\_\_\_\_ Zip \_\_\_\_\_

Purchased at \_\_\_\_\_

**YOU MUST PERFORM THE FOLLOWING TO RECEIVE YOUR REBATE:**

1. Exchange your empty grill tank for a full Blue Rhino® tank, or buy a full "spare" Blue Rhino® before December 31, 2005.
2. Complete this form in its entirety.
3. Return completed form and original receipt in a stamped envelope to the following address before January 31, 2006: Blue Rhino Tank Exchange Rebate, PO Box 6131 Douglas, AZ 85655-6131.

Notice - Allow 6 - 8 weeks for processing. Limit 1 per household per calendar year.

