





## Outdoor LP Gas Mosquito Exterminator


Model No. SV-15

 <b>DANGER</b>	<p><b>CARBON MONOXIDE HAZARD</b></p> <ul style="list-style-type: none"> <li>• This appliance can produce carbon monoxide which has no odor.</li> <li>• Using it in an enclosed space can kill you.</li> <li>• Never use this appliance in an enclosed space such as a camper, tent, car or home.</li> </ul>
	

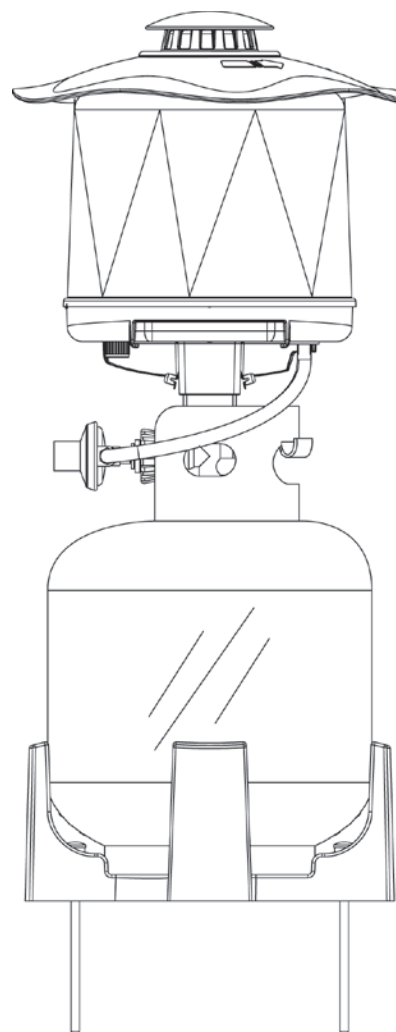
 <b>WARNING</b>
<b>FOR YOUR SAFETY:</b>
<p><b>For Outdoor Use Only</b> (outside any enclosure)</p>

 <b>WARNING</b>
<b>FOR YOUR SAFETY:</b>
<ol style="list-style-type: none"> <li>1. Improper installation, adjustment, alteration, service or maintenance can cause injury or property damage.</li> <li>2. Read the installation, operation, and maintenance instructions thoroughly before installing or servicing this equipment.</li> <li>3. Failure to follow these instructions could result in fire or explosion, which could cause property damage, personal injury or death.</li> <li>4. This instruction manual contains important information necessary for the proper assembly and safe use of the appliance.</li> <li>5. Read and follow all warnings and instructions before assembling and using the appliance.</li> <li>6. Follow all warnings and instructions when using the appliance.</li> <li>7. Keep this manual for future reference.</li> </ol>

 <b>DANGER</b>
<p><b>If you smell gas -</b></p> <ol style="list-style-type: none"> <li>1. Shut off gas to appliance.</li> <li>2. Extinguish any open flame.</li> <li>3. If odor continues, keep away from the appliance and immediately call your gas supplier or your fire department.</li> </ol>

 <b>WARNING</b>
<b>FOR YOUR SAFETY:</b>
<ol style="list-style-type: none"> <li>1. Do not store or use gasoline or other flammable liquids or vapors in the vicinity of this or any other appliance.</li> <li>2. An LP cylinder not connected for use shall not be stored in the vicinity of this or any other appliance.</li> </ol>

 <b>WARNING</b>
<b>FOR YOUR SAFETY:</b>
<p><b>Keep out of reach of children.</b></p>



Domestic

Registration No. 28452 Pest Control Products Act

### Table of Contents

Important Safeguards . . . . .	Page 2
Exploded View & Hardware . . . . .	3
Assembly Instructions . . . . .	4
Installing LP Gas Tank . . . . .	6
Insert LP Gas Tank . . . . .	6
Secure LP Gas Tank . . . . .	6
Connect LP Gas Tank . . . . .	6
Disconnect LP Gas Tank . . . . .	6
Important Mosquito Information . . . . .	6
Important Information . . . . .	6
Important Information about Octenol . . . . .	6
Important Information About Ultraviolet Light . . . . .	6
Mosquito Facts . . . . .	6
Controlling Mosquitoes . . . . .	6
Helpful Links . . . . .	7
Operating Instructions . . . . .	7
Checking for Leaks . . . . .	7
Placement . . . . .	7
FineTune®: Customizing the Lure Output . . . . .	7
Lighting . . . . .	7
Turning Off . . . . .	7
Cleaning and Care . . . . .	7
Before each use . . . . .	7
Cleaning Instructions / Routine Service . . . . .	7
Replacing Igniter Battery . . . . .	8
End of Season Storage . . . . .	8
Product Registration . . . . .	8
Limited Warranty . . . . .	8
Troubleshooting . . . . .	9

The use and installation of this product must conform to local codes. In absence of local codes, use the *National Fuel Gas Code, ANSI Z223.1/NFPA 54, Natural Gas and Propane Installation Code, CSA B149.1*.

Save these instructions for future reference. If you are assembling this unit for someone else, give this manual to him or her to read and save for future reference.

Manufactured in China for: Blue Rhino Global Sourcing, Inc.  
Winston-Salem, NC USA • 1.888.753.7137, www.bluerhino.com

© Blue Rhino Global Sourcing, Inc. All Rights Reserved  
SkeeterVac® and FineTune® are registered trademark of Blue Rhino Global Sourcing, Inc.  
WaveDrawer™ and TacTrap™ are trademarks of Blue Rhino Global Sourcing, Inc. All Rights Reserved.

  
Made from 75% Bagasse  
(Environmentally Friendly Sugar  
Cane Pulp By-product)

**GAS-FIRED**  


**▲ DANGER:** Failure to follow the dangers, warning and cautions in this manual may result in serious bodily injury or death, or in a fire or an explosion causing damage to property.

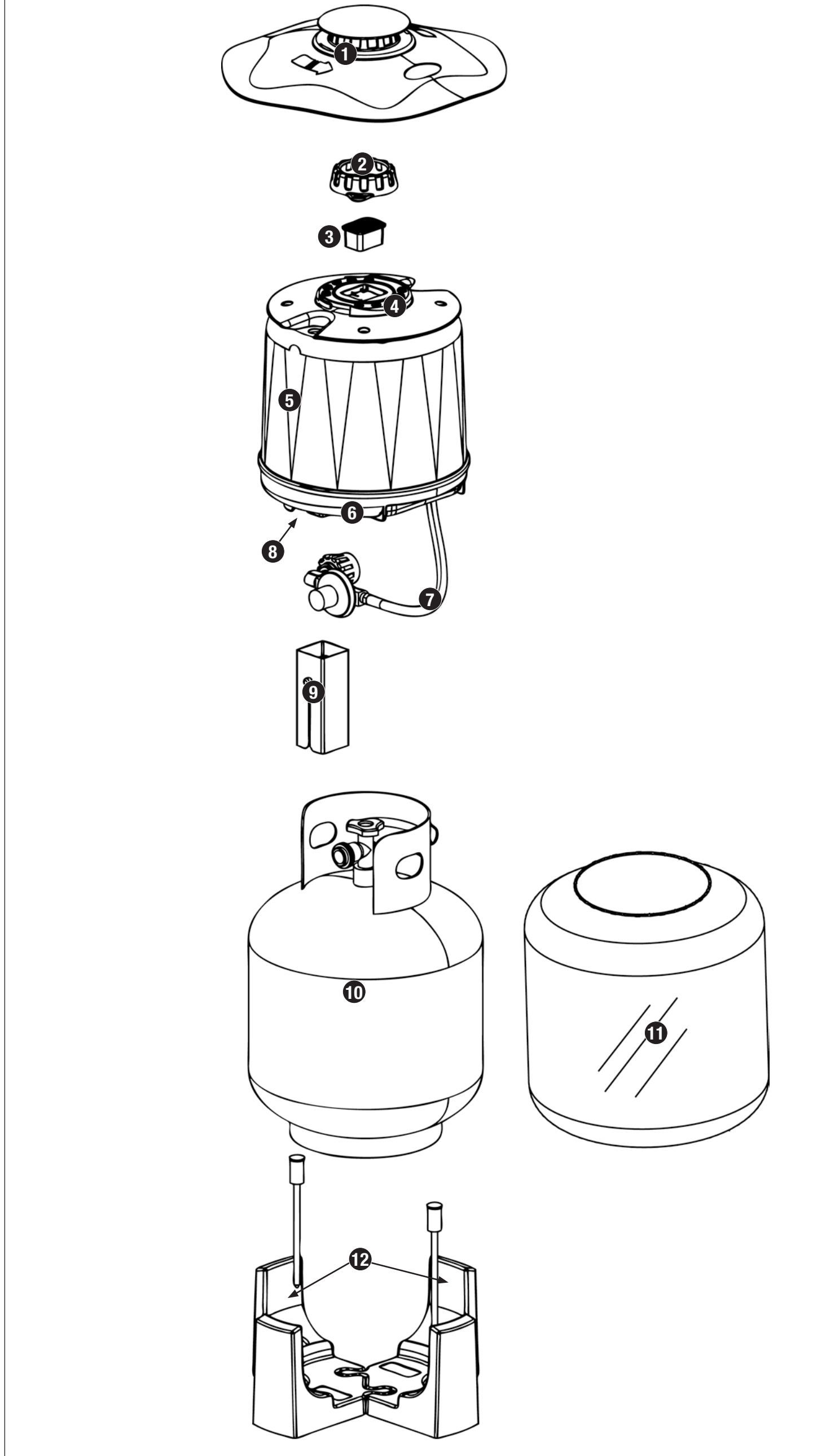
**▲ WARNING:**

- ▲ This SkeeterVac® is for outdoor use only, and shall not be used in a building, garage or any other enclosed area.
- ▲ Do NOT operate, light or use this appliance within ten (10) feet (3.05 m) of walls, structures, buildings or combustible materials.
- ▲ It is a violation of Federal law to use this product in a manner inconsistent with its labeling.
- ▲ This SkeeterVac® is not intended for and should never be used as a heater. TOXIC fumes can accumulate and cause asphyxiation.
- ▲ This SkeeterVac® is safety certified for use in the United States and/or Canada only. Do not modify for use in any other location. Modification will result in a safety hazard.
- ▲ For residential use only. This SkeeterVac® is NOT for commercial use.
- ▲ This SkeeterVac® is for use with liquid propane (LP) gas only. The conversion to or attempted use of natural gas in this LP gas SkeeterVac® is dangerous and will void your warranty.
- ▲ LP gas Characteristics:
  - a. LP gas is flammable and hazardous if handled improperly. Become aware of the characteristics before using any LP gas product.
  - b. LP gas is explosive under pressure, heavier than air, and settles and pools in low areas.
  - c. LP gas in its natural state has no odor. For your safety, an odorant is added that smells like rotten cabbage.
  - d. Contact with LP gas can cause freeze burns to skin.
- ▲ LP gas tank needed to operate. Only tanks marked “propane” may be used.
- ▲ The LP gas tank must be constructed and marked in accordance with the *Specifications for LP gas Cylinders of the U.S. Department of Transportation (DOT) or the National Standard of Canada, CAN/CSA-B339, Cylinders, Spheres and Tubes for the Transportation of Dangerous Goods; and Commission.*
- ▲ LP gas tank must be arranged for vapor withdrawal.
- ▲ The LP gas tank must have a listed overfilling prevention device (OPD).
- ▲ Only use LP gas cylinders equipped with a cylinder connection device compatible with the connection for outdoor cooking appliances.
- ▲ The LP gas tank must have a tank collar to protect the tank valve.
- ▲ Never use an LP gas tank with a damaged body, valve, collar, or footing.
- ▲ Dented or rusted LP gas tanks may be hazardous and should be checked by your LP gas supplier prior to use.
- ▲ The LP gas tank should not be dropped or handled roughly.
- ▲ Always transport your tank in a secure, well-ventilated location in your vehicle. LP gas tank should be upright with valve turned off. LP gas tank should be taken directly to and from place of use.
- ▲ LP gas tanks must be stored outdoors out of the reach of children and must not be stored in a building, garage or any other enclosed area. Your tank must never be stored where temperatures can reach over 125°F.
- ▲ Do not insert any tool or foreign object into the valve outlet or safety relief valve. You may damage the valve and cause a leak. Leaking propane may result in explosion, fire, severe personal injury or death.
- ▲ Never keep a filled LP gas tank in a hot car or car trunk. Heat will cause the gas pressure to increase, which may open the relief valve and allow gas to escape.
- ▲ Place dust cap on cylinder valve outlet whenever the cylinder is not in use. Only install the type of dust cap on the cylinder valve outlet that is provided with the cylinder valve. Other types of caps or plugs may result in leakage of propane.
- ▲ If the appliance is not in use, the gas must be turned off at the supply tank and disconnected.
- ▲ Do not store a spare LP gas tank under or near this appliance.
- ▲ Never fill the tank beyond 80 percent full.
- ▲ A fire causing, serious injury or damage to property may occur if the above is not followed exactly.
- ▲ Never attempt to attach this SkeeterVac® to the self-contained LP gas system of a camper trailer, motor home, or house.
- ▲ Strong odors, colds, sinus congestion, etc. may prevent the detection of propane. Use caution and common sense when testing for leaks.
- ▲ The use of alcohol, or prescription or non-prescription drugs may impair the consumer’s ability to properly assemble or safely operate the appliance.
- ▲ Your SkeeterVac® has been checked at all factory connections for leaks. Recheck all connections as described in the “Operating Instructions” section of the manual, as movement in shipping can loosen connections.
- ▲ Check for leaks even if your unit was assembled for you by someone else.
- ▲ Do not operate if gas leak is present. Gas leaks may cause a fire or explosion.
- ▲ You must follow all leak-checking procedures before operating. To prevent fire or explosion hazard when testing for a leak:
  - a. Always perform leak test before lighting the SkeeterVac® and each time the tank is connected for use.
  - b. No smoking. Do not use or permit sources of ignition in the area while conducting a leak test.
  - c. Conduct the leak test outdoors in a well-ventilated area.
  - d. Do not use matches, lighters or a flame to check for leaks.
  - e. Do not use SkeeterVac® until any and all leaks are corrected. If you are unable to stop a leak, disconnect the LP gas supply. Call a gas appliance serviceman or your local LP gas supplier.
- ▲ This SkeeterVac® is designed with to operate at an inlet pressure of: 10 psi (68,9 kPa)
- ▲ Do not store or use gasoline or other flammable liquids or vapors within 25 feet (7.62 m) of this appliance.
- ▲ Do not use in an explosive atmosphere. Keep SkeeterVac® area clear and free from combustible materials, gasoline and other flammable vapors and liquids.
- ▲ Minimum clearance from sides and back of unit to combustible construction is 36 inches (91.4 cm). Do not use this appliance under any type of overhang or roof.
- ▲ Combustion of propane creates carbon monoxide, which, when used in enclosed areas, can kill you.
- ▲ It is essential to keep the SkeeterVac®’s valve compartment, burners, and circulating air passages clean. Inspect SkeeterVac® before each use.
- ▲ Do not alter SkeeterVac® in any manner.
- ▲ Do not use the SkeeterVac® unless it is COMPLETELY assembled and all parts are securely fastened and tightened.
- ▲ This SkeeterVac® should be thoroughly cleaned and inspected on a regular basis. Clean and inspect the hose before each use of the appliance. If there is evidence of abrasion, wear, cuts, or leaks, the hose must be replaced prior to the appliance being put into operation.
- ▲ Use only the regulator and hose assembly provided. The replacement regulator and hose assembly shall be that specified by the manufacturer.
- ▲ Do not attempt to repair or alter the hose/regulator for any “assumed” defect. Any modification to this assembly will void your warranty and create the risk of a gas leak and fire.
- ▲ Use only Blue Rhino Global Sourcing, Inc. factory authorized parts. The use of any part that is not factory authorized can be dangerous. This will also void your warranty.
- ▲ Do not use this appliance without reading “Operating Instructions” in this manual.
- ▲ Do not install or use in or on boats or recreational vehicles.
- ▲ Do not use this SkeeterVac® in a vehicle trunk, station wagon, pick-up truck, mini-van, sport utility vehicle (SUV), or recreational vehicle (RV).
- ▲ Product performance can vary due to weather, wind and other environmental conditions.
- ▲ Unit will operate at reduced efficiency below 40°F (5°C).
- ▲ Do not hang clothing or other flammable materials either on or near the SkeeterVac®.
- ▲ Never lean over the SkeeterVac® when lighting.
- ▲ Do not attempt to move SkeeterVac® when in use. Allow the SkeeterVac® to cool before moving or storing.
- ▲ Storage of SkeeterVac® indoors is permissible only if the tank is disconnected, removed from the SkeeterVac® and properly stored outdoors.
- ▲ Do not attempt to disconnect the gas regulator from the tank or any gas fitting while the SkeeterVac® is in use.
- ▲ Do not use SkeeterVac® for indoor cooking or heating. TOXIC fumes can accumulate and cause asphyxiation.
- ▲ If at any time you are unable to light burner and smell gas, turn off, wait 5 minutes to allow gas to dissipate before attempting to light SkeeterVac®.
- ▲ Failure to not wait 5 minutes to allow the gas to clear if the SkeeterVac® does not light, may result in an explosive flame-up.
- ▲ After a period of storage and/or nonuse, check for leaks, burner obstructions and inspect for any abrasion, wear or cuts to the hose.
- ▲ Keep air intake areas clear of dust, dirt and debris
- ▲ Do not allow children to operate or play near a SkeeterVac® device when it is in use.
- ▲ Inspect for damage and wear during each maintenance cycle.
- ▲ It is recommended to use only FineTune® mosquito attractant in your SkeeterVac®. The use of other attractants has not been tested with your product, and void your warranty.
- ▲ Use protective gloves when assembling this product.
- ▲ Do not force parts together as this can result in personal injury or damage to the product.
- ▲ Deaths, serious injury or damage to property may occur if the above is not followed exactly.

Contact 1.888.753.7137 for assistance. Do not return to place of purchase.

**Parts List** **Exploded View**

1	Rain Cover	57-04-556
2	FineTune® Ring	57-04-194
3	FineTune® Lure	CPSX000052
4	Cowl	57-04-209
5	TacTrap™	CPSX000069
6	Engine Assembly	57-04-091
7	Regulator/Hose Assembly	57-07-543
8	Battery Cover	57-07-103
9	Post	57-04-573
10	LP Gas Tank (Not Included)	
11	LP Gas Tank Cover	57-04-302
12	Base (2)	57-04-576



**Hardware**

A	Stake	ø8x180 Nickel Plated	2 pcs
B	AA Battery		1 pc

**Assembly Instructions**

**1 DO NOT RETURN PRODUCT TO STORE.**

For assistance call **1.888.753.7137** toll free. Please have your owner's manual and serial number available for reference.

*Note:* The model number can be found on the side of the engine.

For Easiest Assembly:

- To avoid losing any small components or hardware, assemble your product on a hard level surface that does not have cracks or openings.
- Clear an area large enough to layout all components and hardware.
- When applicable, tighten all hardware connections by hand first. Once the step is completed go back and fully tighten all hardware.
- Follow all steps in order to properly assemble your product.

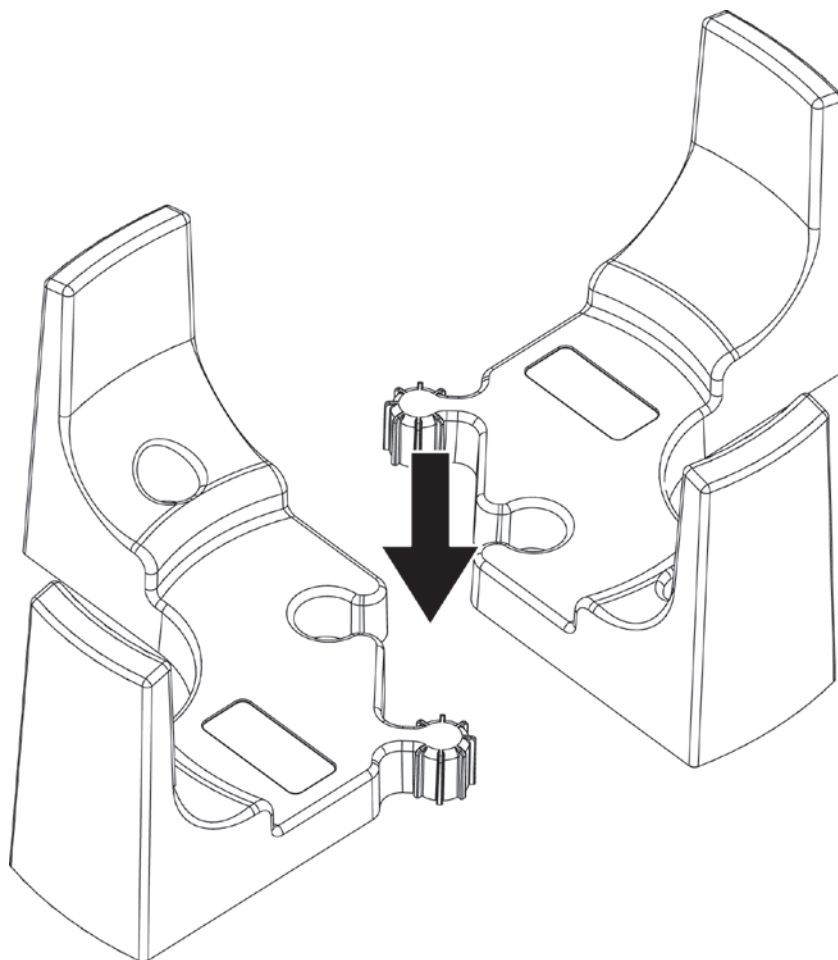
To complete assembly you will need:

- (1) Leak Detection Solution (Instructions on how to make solution are included in the "Operating Instructions" section of this manual)
- (1) Precision Filled LP Gas Grill Tank with Acme Type 1 external threaded valve connection (4-5 gallon size)

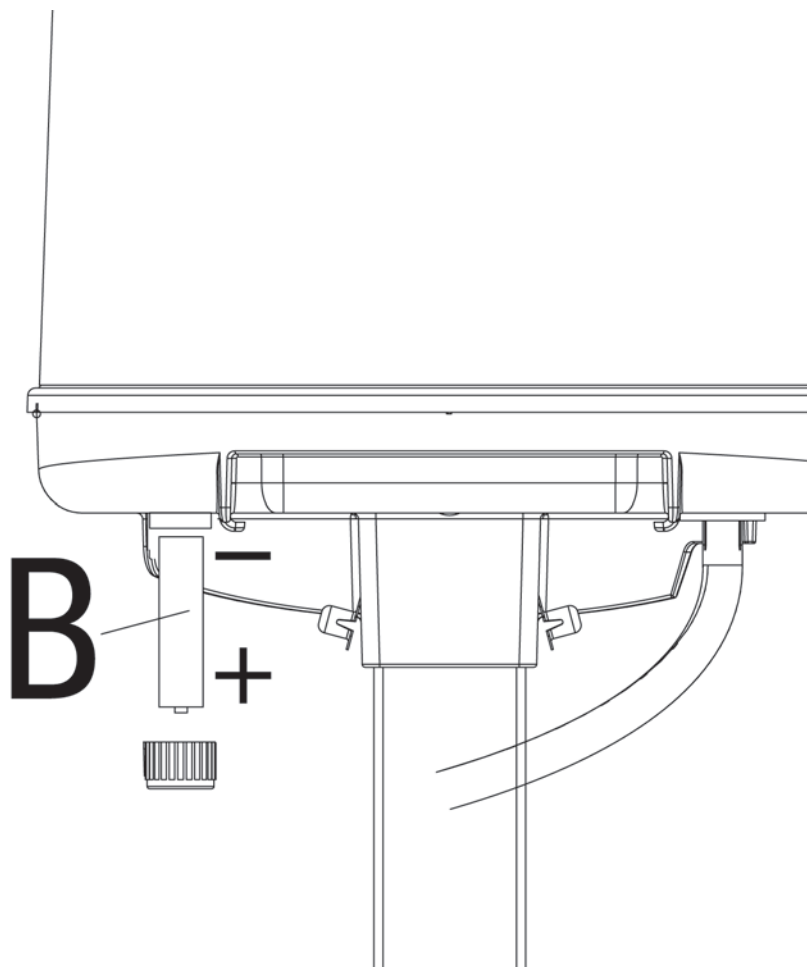
Typical assembly: approximately 15 minutes.

**2 Assemble Base**

Slide both base sections together until they lock

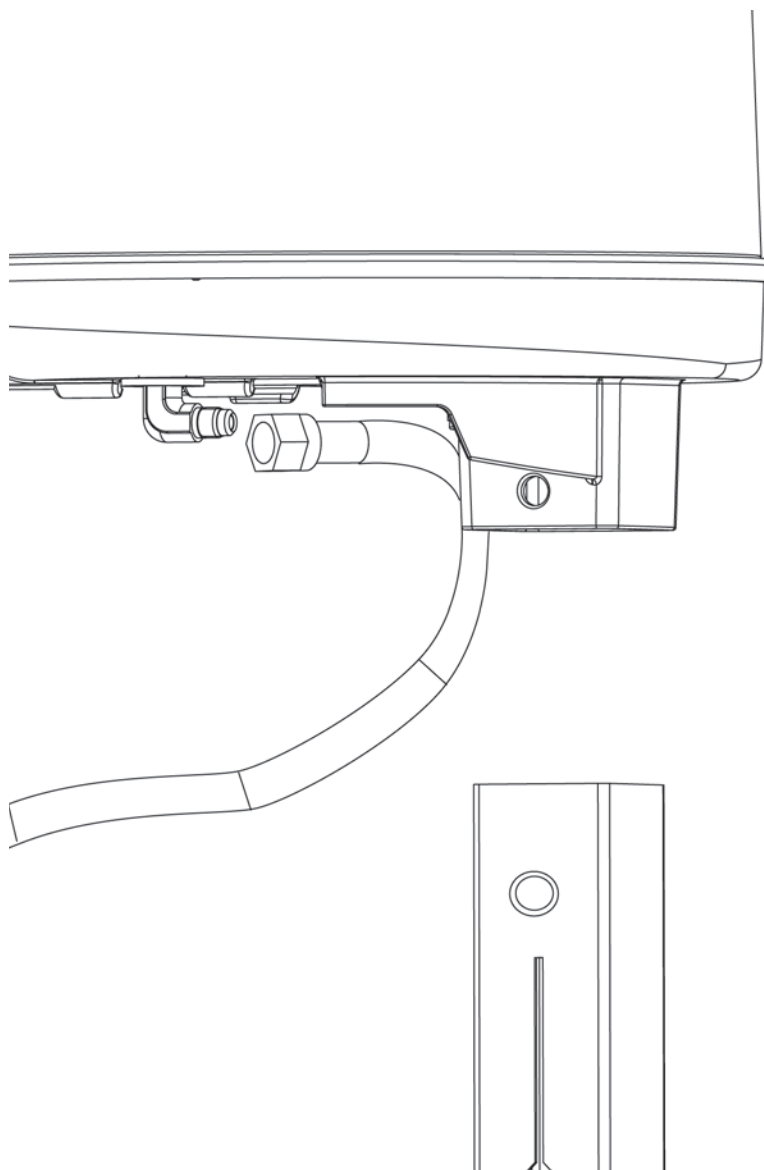


**3 Install Battery**



**B**  x 1

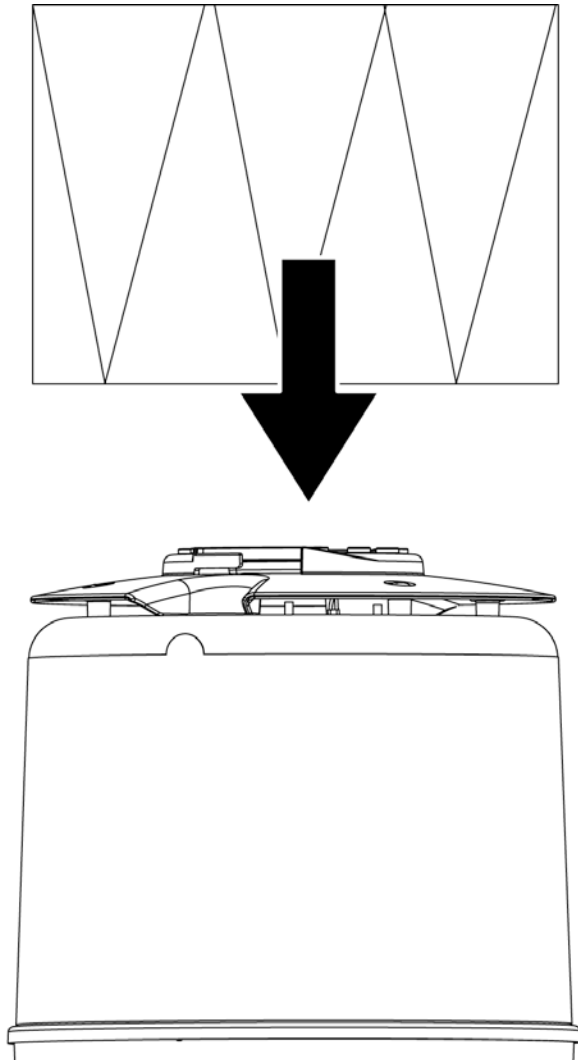
**4 Attach Engine to Post**



Contact 1.888.753.7137 for assistance. Do not return to place of purchase.

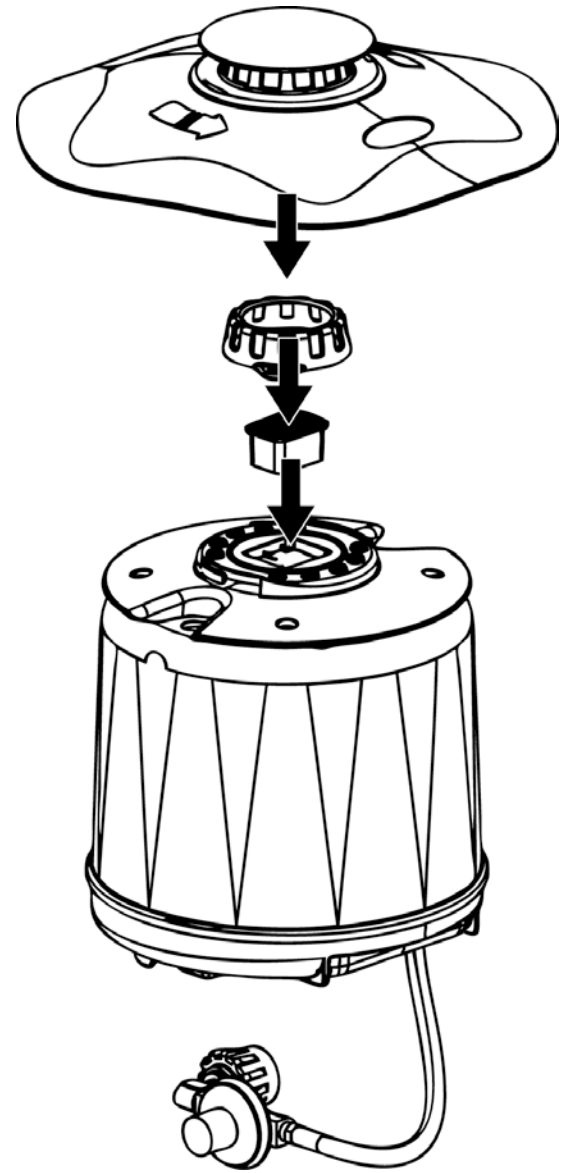
5

Attach TacTrap™



6

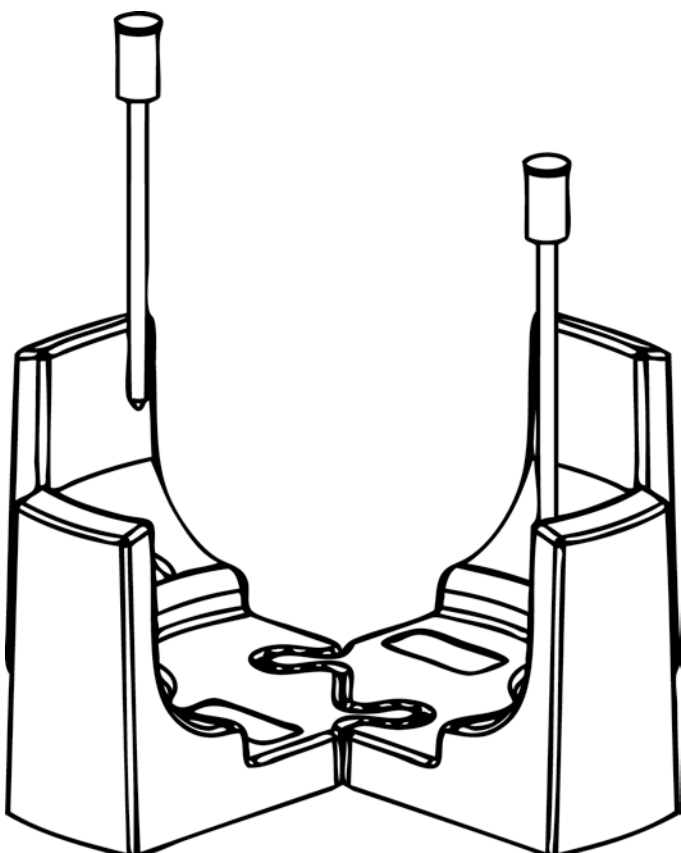
Insert and Secure FineTune®

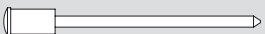


7

Insert Stakes

Note: Move SkeeterVac® to the final location before inserting stakes into ground.



A  x 2

## Installing LP Gas Tank

To operate you will need (1) precision-filled standard grill LP gas tank (20 lbs.) with external valve threads. Use only Transport Canada approved 9 kg (20 lbs.) cylinders with collar fully intact.

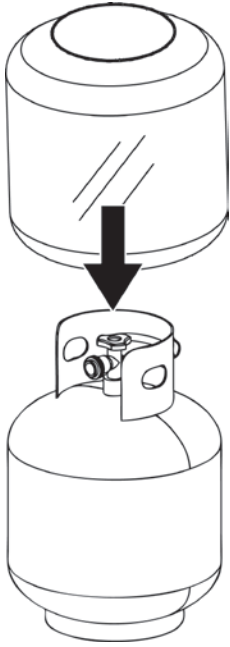
*Note:* An empty standard grill LP gas tank weighs approximately 18 lbs. A precision-filled standard grill LP gas tank should weigh no more than 38 lbs.

**⚠ Caution: LP gas tank must be properly disconnected and removed prior to moving this SkeeterVac®.**



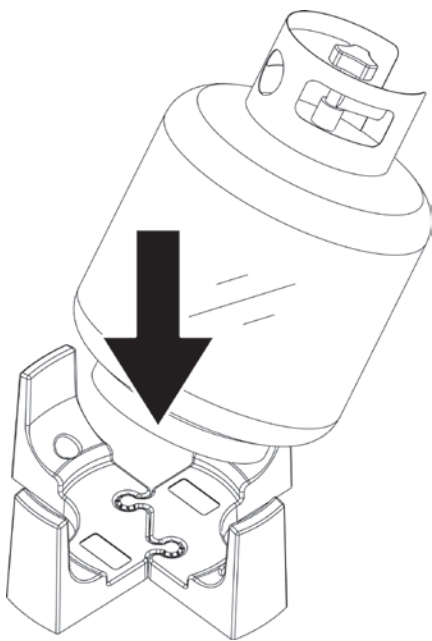
## Place LP Gas Tank Cover

Place the LP gas tank cover onto the LP gas tank.



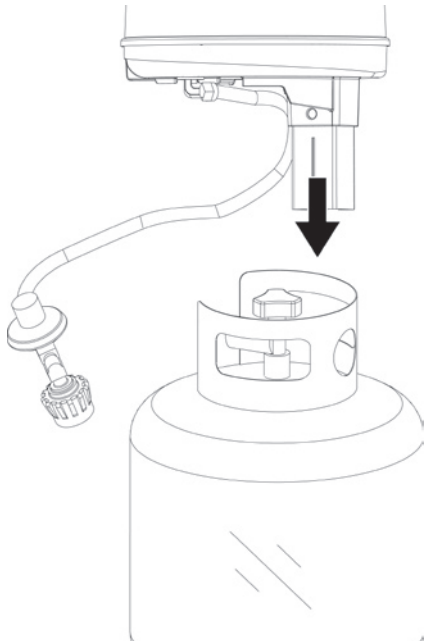
## Insert LP Gas Tank

Place precision filled LP gas tank upright into hole in SkeeterVac® body so it is arranged for vapor withdrawal.



## Attach Engine

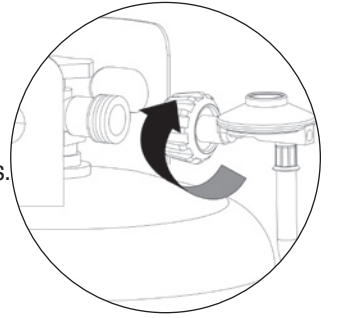
Secure tank by wrapping the LP gas tank retainer chain over collar of the LP gas tank.



## Connect LP Gas Tank

Before connecting, be sure that there is no debris caught in the head of the LP gas tank, head of the regulator valve or in the head of the burner and burner ports.

Connect gas line to tank by turning knob clockwise until it stops.

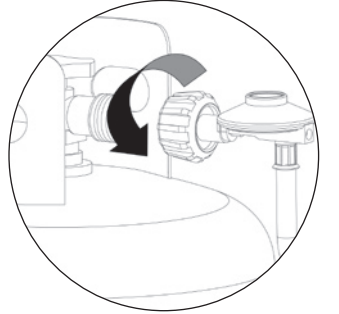


## Disconnect LP Gas Tank

Before disconnecting make sure the LP gas tank valve is "CLOSED".

Disconnect regulator/hose assembly from LP gas tank by turning knob counterclockwise until it is loose.

**⚠ Caution: LP gas tank must be properly disconnected and removed prior to moving this grill.**



**Need a tank of gas?** Try tank exchange service. It's easy, fast, safe, and available at tens of thousands of conveniently located retail outlets nationwide. You can purchase a new full tank or exchange your empty for a precision filled one.

## Important Mosquito Information

### Important Information

Your SkeeterVac® device operates 24 hours a day to help reduce the nuisance of mosquitoes. It attracts female mosquitoes that are seeking a blood meal to nourish their eggs. By removing these females you also remove their eggs.

This Product will provide the following results when used as directed:

- Attract, trap and kill mosquitoes

This product is not capable of:

- Completely eliminating mosquito populations
- Eliminating the possibility of disease from mosquitoes
- For best results, keep your SkeeterVac® running continuously, and replace the propane cylinder as soon as it is empty.
- It may take up to 3-4 weeks to see a noticeable reduction in the nuisance.
- Begin operating your SkeeterVac® device once low temperatures remain above 50°F (10°C).
- To reduce and maintain mosquito populations it is important for your SkeeterVac® device to operate continuously. Do not turn off the LP gas tank valve until your SkeeterVac® turns off, then immediately replace the empty tank with a full tank of propane.
- Always contact our experts before returning product to place of purchase.

### Important Information About Octenol

Your SkeeterVac® device includes a lure that contains octenol (1-octen-3-ol). This pesticide is an effective attractant supplement for some mosquito species.

**KEEP OUT OF REACH OF CHILDREN**

**⚠ CAUTION: Harmful if swallowed, absorbed through the skin or inhaled. Avoid contact with skin, eyes and mouth. Wash hands thoroughly with soap and water after handling.**

### Mosquito Facts

- About 3,000 species of mosquitoes have been identified on a worldwide basis. Approximately 150 are known to exist in North America.
- There are approximately 25 known "human nuisance species" of mosquitoes.
- Most adult mosquitoes only have a life span of 2-4 weeks.
- Only female mosquitoes bite.

### Controlling Mosquitoes

In addition to properly installing and using a SkeeterVac® device, you can reduce mosquito breeding around your home significantly by reducing the amount of water that is stagnating on your property. Be aware that mosquitoes can and will develop in any puddle or pool of water that lasts more than 4 days.

- Dispose of cans, plastic containers, pots, or similar water-holding containers that have accumulated on your property.
- Drill holes in the bottom of containers that you must leave out of doors – trash cans, recycling bins, etc.

Contact 1.888.753.7137 for assistance. Do not return to place of purchase.

## Important Mosquito Information (continued)

- Clean clogged roof gutters on an annual basis.
- Turn over plastic wading pools when not in use.
- Turn over wheelbarrows, empty planters, or children's toys when not in use.
- Don't allow water to stagnate in birdbaths.
- Aerate ornamental pools or stock them with fish.
- Clean and chlorinate swimming pools that are not being used. Don't forget that mosquitoes breed in the water that collects on swimming pool covers.
- Use landscaping features or drainage tools to eliminate standing water that collects in low spots on your property.

## Helpful Links

More information about mosquitoes in the United States and Canada can be found on the following sites, among many others.

- The American Mosquito Control Association: <http://www.mosquito.org>
- US Environmental Protection Agency: <http://www.epa.gov/pesticides/health/mosquitoes>
- National Center for Infectious Diseases: <http://www.cdc.gov> . Search for "Mosquitoes".
- Canadian Pest Management Regulatory Agency: <http://www.hc-sc.gc.ca/pmra-arla/english/pdf/pnotes/mosquitos-e.pdf>

None of the agencies listed above is an endorser of the SkeeterVac® device, and inclusion on the list above does not signify that they endorse the SkeeterVac® device. Links provided for customer information only.

## Operating Instructions

### Checking for Leaks

1. Make 2-3 oz. of leak solution by mixing one part liquid dishwashing soap with three parts water.
2. Connect LP gas tank per "Installing LP Gas Tank" section.
3. Turn LP gas tank valve to "OPEN".
4. Spoon leak check solution at all "X" locations (Figures 1 and 2).
  - a. If any bubbles appear turn LP gas tank valve to "CLOSED", reconnect and re-test.
  - b. If you continue to see bubbles after several attempts, turn LP gas tank valve to "CLOSED" and disconnect LP gas tank, per "Disconnect LP Gas Tank" instructions, and contact 1.888.753.7137 for assistance.
  - c. If no bubbles appear after one minute turn LP gas tank valve to "CLOSED", wipe away solution and proceed.

Figure 1

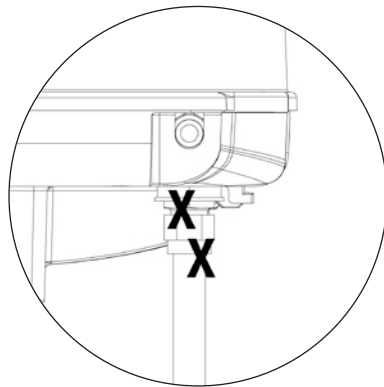
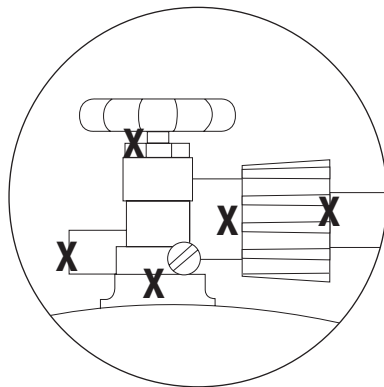


Figure 2



### Placement

Properly positioning your SkeeterVac® device is important to maximizing performance. Since the SkeeterVac® device attracts mosquitoes it should be placed at least 10 feet from your living areas.

Mosquitoes typically live in areas that are shady, wet and/or moist. Determine the primary mosquito habitat and place your SkeeterVac® device as close as possible to it.

If you live in an area with consistent wind, place your SkeeterVac® device upwind from the primary mosquito habitat.

#### ⚠ CAUTION: Tipping danger. Use stakes to secure.

Once you have selected the location, secure the SkeeterVac® device by placing a stake in each of the (2) front feet.

Maximum performance may require relocating your SkeeterVac® device from time to time. To move, remove the stakes and lift SkeeterVac® by post. Set in new location and insert stakes.

### FineTune®: Customizing the Lure Output

The amount of octenol your SkeeterVac® device dispenses is important to maximizing performance. Some mosquito species are highly attracted to octenol while others are less attracted.

This product contains an easy-to-use feature that allows you to customize the amount of octenol released to match the species in your environment.

*Note:* Lure lasts 60 days.

1. Remove rain cover by turning counterclockwise.
2. Remove foil seal from the Finetune® Lure.
3. Place Finetune® back into holder with holes orienting upward.
4. From the illustrations provided on the engine label, select the environment that best matches the area you are protecting.
5. Position the ring so it points to your environment. (Figures 3a, 3b and 3c).
6. Replace rain cover by turning clockwise.

## Operating Instructions (continued)

### Lighting

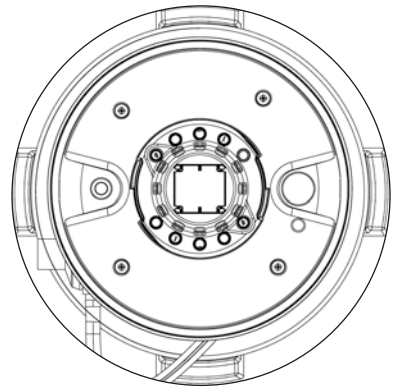
⚠ **Caution: Keep this appliance area clear and free from combustible materials, gasoline and other flammable vapors and liquids.**

⚠ **Caution: Do not obstruct the flow of combustion and ventilation air.**

1. Read instructions before lighting.
2. Connect LP gas tank per "Installing LP Gas Tank" section.
3. Remove rain cover by turning counterclockwise.
4. Turn LP gas tank valve slowly to "OPEN"
5. IMMEDIATELY press and hold igniter button down until you hear a "POP" sound indicating ignition. Normally occurs within 20 seconds (Figure 4).
6. Continue to hold control valve button for 30 seconds.
7. The needle on the engine gauge should begin to move into the "Green" zone indicating ignition is complete.

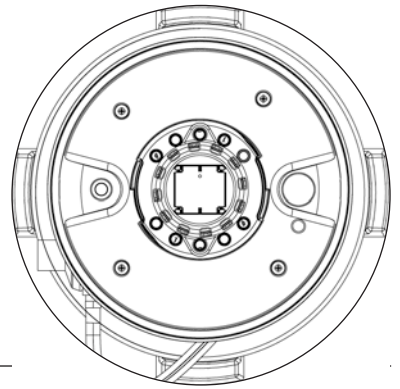
⚠ **CAUTION: If engine fails to light, shut LP gas off at tank and wait 5 minutes before attempting to restart the engine by following the lighting instructions.**

Figure 3a



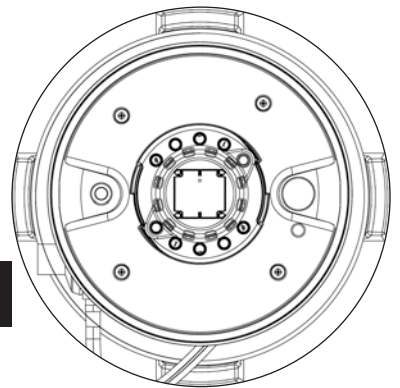
Lure Output: Fully Open

Figure 3b



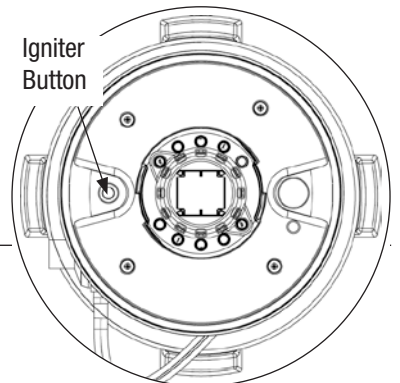
Lure Output: Half Open

Figure 3c



Lure Output: Closed

Figure 4



### Turning Off

1. Turn LP gas tank valve to "CLOSED".
 

*Note:* A "poof" sound is normal as the last of the LP gas is burned.
2. Disconnect LP gas tank per "Disconnect LP Gas Tank" instructions.

⚠ **CAUTION: The gas supply must be turned off at the LP-gas tank when this outdoor gas appliance is not in use.**

## Cleaning and Care

⚠ **CAUTION: All cleaning and maintenance should be done when SkeeterVac® is cool and with the fuel supply disconnected.**

⚠ **CAUTION: DO NOT clean any SkeeterVac® part in a self cleaning oven.**

⚠ **CAUTION: This SkeeterVac® should be thoroughly cleaned and inspected on a regular basis.**

### Notices

1. This SkeeterVac® should be thoroughly cleaned and inspected on a regular basis.
2. Abrasive cleaners will damage this product.
3. Never use oven cleaner to clean any part of SkeeterVac®.

### Before Each Use:

1. Keep the SkeeterVac® area clean and free from any combustible materials, gasoline, and other flammable vapors and liquids.
2. Do not obstruct the flow of the combustion of LP and the ventilation air.
3. Keep the ventilation opening(s) of the LP gas tank area free and clear from debris.
4. See "Cleaning Instructions" for proper cleaning instructions.

## Cleaning Instructions / Routine Service

To ensure maximum performance and to lengthen the life of your SkeeterVac® device, perform these steps each time your tank is empty. This model will consume a standard 20 lb. LP gas tank every 28-30 days.

*Note:* While unit is in use, check the following every 2-3 days:

- Check WaveDrawer™ and clean (if necessary).
- Check air passages for blockage.

1. Turn LP gas tank valve to "CLOSED".
2. Disconnect hose/regulator gas line from tank by turning knob counterclockwise.
3. Remove rain cover from top of SkeeterVac®
4. Remove used TacTrap™ and dispose of properly.
5. Remove WaveDrawer™, empty and clean.
6. Remove used Finetune® lure (if necessary) and properly dispose.
 

*Note:* Finetune® Lure lasts 60 days.

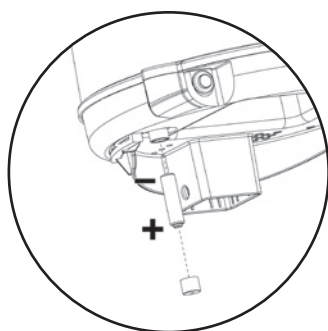
## Operating Instructions (continued)

7. Lift engine and post off empty LP gas tank, and place on ground.
8. Remove empty tank replace with full LP gas tank.
9. Remove tank cover from empty LP gas tank
10. Place cover onto full LP gas tank
11. Place engine and post onto LP gas tank
12. Slide WaveDrawer™ back into place.
13. Slide fresh TacTrap™ in place and remove protective paper.
14. Remove fresh Finetune® lure from package (if necessary). Dispose of packaging properly.
15. Place Finetune® lure back into holder with holes orienting upward.
16. From the illustrations provided on the engine label, adjust the Finetune® ring to the environment that best matches the area you are protecting.
17. Check engine and gas lines for any sign of damage or missing parts. Repair any problems before attempting to start.
18. Reconnect gas line to LP gas tank by turning knob clockwise.
19. Perform leak check.
20. Start following “Lighting” instructions.
21. Wash hands with soap and water.

## Replacing Igniter Battery

If you do not hear a clicking sound when the igniter button is depressed, the battery may have lost its charge. Replace battery as follows:

1. Turn LP gas tank valve to “CLOSED”.
2. Open battery compartment by turning cap on bottom of engine counterclockwise.
3. Remove used battery and properly dispose.
4. Place fresh AA battery into compartment – negative (–) end goes in first. (Figure 5).
5. Secure cap by turning clockwise until it stops.
6. Start following “Lighting” instructions.



Battery Placement

## End of Season Storage

To lengthen the life of your SkeeterVac® device, perform these simple steps at the end of the mosquito season.

1. Turn LP gas tank valve to “CLOSED”.
2. Disconnect LP gas tank per “Disconnect LP Gas Tank” instructions.
3. Remove tank cover.
4. Remove LP gas tank.
5. Place the protective cap cover on the LP tank and store the tank outdoors in a well ventilated area out of direct sunlight.
6. Remove and properly dispose of the TacTrap™ and FineTune® lures.
7. Cover your SkeeterVac® device to protect from dust and store it in a cool dry place.

**▲ CAUTION: Storage of an outdoor gas appliance indoors is only permissible if the tank is disconnected and removed from the outdoor gas appliance.**

## Product Registration

For faster warranty service, please register your product immediately at [www.bluerhino.com](http://www.bluerhino.com) or call 1.888.753.7137.

## Limited Warranty

Blue Rhino Global Sourcing, Inc (“Vendor”) warrants to the original retail purchaser of this product, and to no other person, that if this product is assembled and operated in accordance with the printed instructions accompanying it, then for a period of one (1) year from the date of purchase, all parts in such product shall be free from defects in material and workmanship. Vendor may require reasonable proof of your date of purchase. Therefore, you should retain your sales slip or invoice. This Limited Warranty shall be limited to the repair or replacement of parts, which prove defective under normal use and service and which Vendor shall determine in its reasonable discretion upon examination to be defective. Before returning any parts, you should contact Vendor’s Customer Service Department using the contact information listed below. If Vendor confirms, after examination, a defect covered by this Limited Warranty in any returned part, and if Vendor approves the claim, Vendor will replace such defective part without charge. If you return defective parts, transportation charges must be prepaid by you. Vendor will return replacement parts to the original retail purchaser, freight or postage prepaid.

This Limited Warranty does not cover any failures or operating difficulties due to accident, abuse, misuse, alteration, misapplication, improper installation or improper maintenance or service by you or any third party, or failure to perform normal and routine maintenance on the product as set out in this owner’s manual. In addition, the Limited Warranty does not cover damage to the finish, such as scratches, dents, discoloration, rust or other weather damage, after purchase.

This Limited Warranty is in lieu of all other express warranties. Vendor disclaims all warranties for products that are purchased from sellers other than authorized retailers or distributors, including the warranty of merchantability or the warranty of fitness for a particular purpose. VENDOR ALSO DISCLAIMS AND ANY ALL IMPLIED WARRANTIES, INCLUDING WITHOUT LIMITATION THE IMPLIED WARRANTIES OF MERCHANTABILITY AND FITNESS FOR A PARTICULAR PURPOSE. VENDOR SHALL NO LIABILITY TO PURCHASER OR ANY THIRD PARTY FOR ANY SPECIAL, INDIRECT, PUNITIVE, INCIDENTAL, OR CONSEQUENTIAL DAMAGES. Vendor further disclaims any implied or express warranty of, and assumes no responsibility for, defects in workmanship caused by third parties.

This Limited Warranty gives the purchaser specific legal rights; a purchaser may have other rights depending upon where he or she lives. Some jurisdictions do not allow the exclusion or limitation of special, incidental or consequential damages, or limitations on how long a warranty lasts, so the above exclusion and limitations may not apply to everyone.

Vendor does not authorize any person or company to assume for it any other obligation or liability in connection with the sale, installation, use, removal, return, or replacement of its equipment, and no such representations are binding on Vendor.

Blue Rhino Global Sourcing, Inc  
Winston-Salem, North Carolina USA  
1.888.753.7137



Contact 1.888.753.7137 for assistance. Do not return to place of purchase.

## Troubleshooting

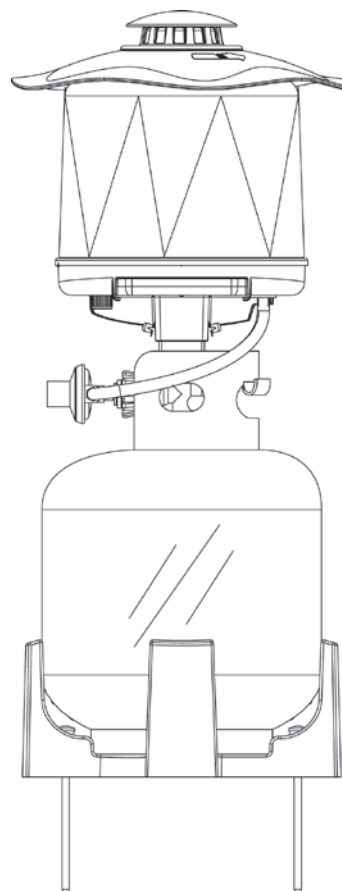
Problem	Possible Cause	Solution
<b>SkeeterVac® does not start</b>	LP gas tank is low or empty	Replace LP gas tank
	LP gas leak	Follow "Checking for Leaks" instructions.
	Igniter does not work	1. Turn off LP gas tank per "Turning Off" section. 2. Press the igniter button (see figure 4) a. If hear clicking sound, igniter is working. b. If do not hear clicking sound replace battery. If still not working call our Customer Care at 1.888.753.7137
	Too much air in hose line	1. Connect LP gas tank per "Connecting LP Gas Tank" instructions. <b>⚠ Caution: Keep this appliance area clear and free from combustible materials, gasoline, other flammable vapors and liquids and open flames.</b> 2. Turn LP gas tank valve slowly to "OPEN" 3. Press and hold control valve button for up to 3 minutes. 4. Try and light SkeeterVac® per "Lighting Instructions" every 30 seconds until you hear a "POP" sound indicating ignition. 5. If still not working refer to "Regulator needs to be reset".
	Filter blocked	1. Turn off LP gas tank per "Turning Off" instructions. 2. Disconnect LP gas tank per "Disconnect LP Gas Tank" instructions. 3. Remove Regulator/Hose Assembly at SkeeterVac® engine. 4. Remove filter. 5. Reconnect Regulator/Hose Assembly at SkeeterVac® engine. 6. Perform leak check per "Checking for Leaks" instructions. 7. Light SkeeterVac® per "Lighting Instructions".
	Regulator needs to be reset	1. Turn off LP gas tank per "Turning Off" instructions. 2. Disconnect LP gas tank per "Disconnect LP Gas Tank" section. 3. After 30 seconds, reconnect LP gas tank per "Connect LP Gas Tank" instructions. 4. Slowly turn LP gas tank valve to "OPEN". 5. Perform leak check per "Checking for Leaks" instructions. 6. Light SkeeterVac per "Lighting Instructions".
<b>Engine not functioning properly</b>	Too damp or wet	1. Connect LP gas tank per "Connecting LP Gas Tank" instructions. <b>⚠ Caution: Keep this appliance area clear and free from combustible materials, gasoline, other flammable vapors and liquids and open flames.</b> 2. Turn LP gas tank valve slowly to "OPEN" 3. Press and hold control valve button and igniter button for up to 3 minutes or until the needle on the engine gauge should begin to move into the "Green" zone, the LED lights will be flickering and the vacuum fan will be running with air flow out of the engine bottom, indicating ignition is complete. 5. If still not working refer to "Regulator needs to be reset".
	LP gas tank is low or empty	Replace LP gas tank
	LP gas leak	Follow "Checking for Leaks" instructions.
<b>SkeeterVac® turns off suddenly</b>	Ventilation blocked	1. Turn off LP gas tank per "Turning Off" instructions. 2. Disconnect LP gas tank per "Disconnect LP Gas Tank" instructions. 3. Check ventilation openings and air-inlet to make sure clear of debris. 4. Clean SkeeterVac per "Clean and Care" Instructions.
	Out of gas	Replace LP gas tank

For more assistance please visit us online at [www.bluerhino.com](http://www.bluerhino.com) or call 1.888.753.7137.



## Exterminateur de moustiques au propane pour l'extérieur

Modèle n° SV-15



Domestique

N° d'enregistrement 28452 Loi Sur Les Produits Antiparasitaires

### Table des matières

Consignes de sécurité importantes . . . . .	Page 2
Vue éclatée des pièces et quincaillerie . . . . .	3
Directives d'assemblage . . . . .	4
Installer la bouteille de propane . . . . .	6
Insérer la bouteille de propane . . . . .	6
Fixer la bouteille de propane . . . . .	6
Brancher la bouteille de propane . . . . .	6
Débrancher la bouteille de propane . . . . .	6
Information importante concernant les moustiques . . . . .	6
Information importante . . . . .	6
Information importante concernant l'octénol . . . . .	6
Information importante concernant les rayons ultraviolets . . . . .	6
Des données intéressantes sur les moustiques . . . . .	6
Comment contrôler les moustiques . . . . .	7
Liens pratiques . . . . .	7
Fonctionnement . . . . .	7
Rechercher une fuite potentielle . . . . .	7
Emplacement . . . . .	7
FineTune®: Régler l'appât selon vos besoins . . . . .	7
Allumer l'appareil . . . . .	7
Éteindre l'appareil . . . . .	7
Nettoyage et entretien . . . . .	8
Avant chaque utilisation . . . . .	8
Instructions de nettoyage et entretien de routine . . . . .	8
Remplacer la pile de l'allumeur . . . . .	8
Remisage de fin de saison . . . . .	8
Enregistrement de l'appareil . . . . .	8
Garantie limitée . . . . .	8
Guide de dépannage . . . . .	9

L'utilisation et l'installation de cet appareil doivent être conformes aux codes locaux. En l'absence de codes locaux, suivez le *Code national du gaz combustible, les normes ANSI Z223.1/NFPA 54, le Code d'installation du gaz naturel et du propane, CSA B149.1.*

Veuillez conserver le manuel d'utilisation pour référence ultérieure. Si cet appareil est en train d'être assemblé pour une autre personne, veuillez à lui fournir le manuel afin qu'elle puisse le lire et le consulter plus tard.

Fabriqué en Chine pour: Blue Rhino Global Sourcing, Inc.  
Winston-Salem, NC États-Unis • 1.888.753.7137, www.bluerhino.com

© Blue Rhino Global Sourcing, Inc. Tous droits réservés.  
SkeeterVac® et FineTune® sont des marques de commerce déposées de Blue Rhino Global Sourcing, Inc.  
WaveDrawer™ et TacTrap™ sont des marques de commerce déposées de Blue Rhino Global Sourcing, Inc. Tous droits réservés.

SV-15-OM-112 EF

**DANGER**

**DANGER DE MONOXYDE DE CARBONE**

- Cet appareil risque de produire du monoxyde de carbone inodore.
- L'utilisation de cet appareil dans un espace clos présente un danger mortel.
- Ne jamais utiliser cet appareil dans un espace clos tel qu'une tente-caravane, une tente, une voiture ou une maison.

**AVERTISSEMENT**

**POUR VOTRE SÉCURITÉ:**

Pour usage à l'extérieur seulement (hors de tout abri clos)

**AVERTISSEMENT**

**POUR VOTRE SÉCURITÉ:**

1. Toute installation défectueuse ou modification incorrecte ainsi que tout mauvais réglage ou entretien incorrect risque d'entraîner des blessures ou des dégâts matériels.
2. Lire complètement les instructions d'installation, d'utilisation et d'entretien avant de procéder à la maintenance de l'appareil ou à son entretien.
3. Le non-respect de ces consignes risque de provoquer un incendie ou une explosion et entraîner des dégâts matériels, des blessures graves voire la mort.
4. Ce manuel d'utilisation contient des consignes de sécurité indispensables au montage et au bon fonctionnement de l'appareil.
5. Lire et suivre toutes les mises en garde et instructions avant d'assembler et d'utiliser l'appareil.
6. Suivre toutes les mises en garde et instructions lors de l'utilisation de l'appareil.
7. Conserver ce manuel afin de pouvoir s'y référer ultérieurement.

**DANGER**

En cas d'odeur de gaz:

1. Fermer le robinet de gaz alimentant l'appareil.
2. Éteindre toute flamme.
3. Si l'odeur persiste, s'éloigner de l'appareil et contacter immédiatement votre fournisseur de bouteilles de gaz ou le service des pompiers.

**AVERTISSEMENT**

**POUR VOTRE SÉCURITÉ:**

1. Ne pas entreposer ni utiliser de l'essence ni d'autres vapeurs ou liquides inflammables dans le voisinage de l'appareil, ni de tout autre appareil.
2. Une bouteille de propane qui n'est pas raccordée en vue de son utilisation, ne doit pas être entreposée dans le voisinage de cet appareil ou de tout autre appareil.

**AVERTISSEMENT**

**POUR VOTRE SÉCURITÉ:**

Garder hors de la portée des enfants.

**▲ DANGER:** Le non-respect des avis de danger, des mises en garde et des consignes de sécurité de ce manuel risque de provoquer un incendie ou une explosion et d'entraîner des dégâts matériels, des blessures graves voire la mort.

**▲ AVERTISSEMENT:**

- ▲ Ce SkeeterVac® doit être utilisé uniquement à l'extérieur et ne doit pas être utilisé dans un immeuble, un garage ou tout autre espace clos.
- ▲ NE PAS utiliser ou allumer cet appareil à moins de dix (10) pieds (3 m) de tout mur, construction, immeuble ou matières combustibles.
- ▲ Le fait d'utiliser cet article d'une manière contre-indiquée aux instructions de l'étiquette d'emballage représente une violation de la loi fédérale.
- ▲ Ce SkeeterVac® n'est pas sensé être utilisé pour se chauffer et ne devrait jamais être utilisé en tant que chauffage d'appoint. Des émanations TOXIQUES peuvent s'accumuler et provoquer l'asphyxie.
- ▲ Ce SkeeterVac® est homologué afin de pouvoir être utilisé en toute sécurité uniquement aux États-Unis et au Canada. Ne pas modifier ce SkeeterVac® afin de pouvoir l'utiliser autre part. Toute modification ou altération présentera un danger de fonctionnement.
- ▲ Pour usage domestique seulement. Ce SkeeterVac® N'est PAS destiné à un usage commercial.
- ▲ Ce SkeeterVac® doit être utilisé uniquement avec du propane (PL). Toute utilisation de gaz naturel avec ce SkeeterVac® ou tentative de conversion au gaz naturel de ce SkeeterVac® est dangereuse et rendra la garantie nulle et non avenue.
- ▲ Caractéristiques du propane (PL) :
  - a. Le propane est un gaz inflammable et dangereux si ce dernier n'est pas manipulé correctement. Il est indispensable de connaître les dangers encourus avant d'utiliser tout appareil fonctionnant au propane.
  - b. Le propane est un gaz inflammable qui risque d'exploser sous pression. Le propane qui risque d'exploser sous pression, est plus lourd que l'air, se dépose et demeure au sol.
  - c. Le propane à l'état naturel est inodore. Pour votre sécurité, un odorisant ayant l'odeur de choux avariés a été ajouté.
  - d. Tout contact du propane avec la peau risque d'entraîner des engelures.
- ▲ Seules les bouteilles marquées « propane » peuvent être utilisées.
- ▲ La bouteille de propane doit être fabriquée, marquée et mise en service conformément à la *Réglementation sur les bouteilles de gaz de pétrole liquéfié établie par le Ministère des transports des États-Unis (DOT) ou répondre à la Norme nationale du Canada, CAN/CSAB339 sur les bouteilles, sphères et tubes destinés au transport de produits dangereux et la commission.*
- ▲ La bouteille de propane doit être placée et homologuée afin de permettre l'extraction des vapeurs de gaz.
- ▲ La bouteille de propane doit être équipée d'un système d'arrêt volumétrique (OPD) empêchant tout remplissage excessif.
- ▲ Utiliser uniquement des bouteilles de propane équipées d'un dispositif de branchement compatible avec le raccord d'un appareil de cuisson de plein air.
- ▲ La bouteille de propane doit posséder un col afin de protéger le robinet et la soupape de la bouteille.
- ▲ Ne jamais utiliser une bouteille de propane si le corps, la soupape, le col ou le socle sont endommagés.
- ▲ Toute bouteille bosselée ou présentant des traces de rouille risque d'être dangereuse et devrait être vérifiée par votre fournisseur avant de l'utiliser.
- ▲ Ne pas laisser tomber la bouteille ni la manipuler brusquement ou brutalement!
- ▲ Veiller à toujours placer la bouteille de propane dans un endroit sécuritaire et bien aéré à bord du véhicule qui est sensé transporter la bouteille. La bouteille de propane doit être transportée debout avec le robinet fermé. La bouteille de propane doit être transportée directement à l'endroit où elle doit être utilisée.
- ▲ Les bouteilles de gaz doivent être entreposées à l'extérieur, hors de la portée des enfants et ne doivent pas être entreposées dans un bâtiment, un garage ou dans tout autre lieu fermé. Les bouteilles de gaz ne doivent jamais être entreposées dans un endroit où la température risque de dépasser 51,6°C (125°F)!
- ▲ Ne pas introduire d'outil ni de corps étranger dans la sortie du robinet de la bouteille de gaz ni dans la soupape de sécurité. Vous risquez d'endommager la soupape et de provoquer une fuite. Toute fuite de propane risque de provoquer une explosion ou un incendie et d'entraîner des blessures graves voire la mort.
- ▲ Ne jamais garder une bouteille de propane pleine dans une voiture ou dans le coffre d'une voiture sous une forte chaleur. La chaleur peut provoquer une augmentation de la pression du gaz, pouvant provoquer l'ouverture de la soupape de sécurité et lui permettre de s'échapper.
- ▲ Mettre un bouchon anti-poussière sur la sortie du robinet d'une bouteille qui n'est pas utilisée. Utiliser uniquement le type de bouchon anti -poussière fourni avec le robinet de la bouteille. D'autres types de bouchons pourraient ne pas être étanches et permettre des fuites de propane.
- ▲ Fermer le gaz et débrancher la bouteille lorsque le SkeeterVac® n'est pas utilisé.
- ▲ Ne jamais entreposer une bouteille de propane de rechange sous ou à proximité de cet appareil.
- ▲ Ne jamais remplir la bouteille de propane à plus de 80% de sa capacité.
- ▲ Les consignes ci-dessus doivent être strictement respectées et le non respect de ces consignes risque de provoquer un incendie et d'entraîner des dégâts matériels ou des blessures graves.
- ▲ Ne jamais essayer de raccorder ce SkeeterVac® au circuit de propane d'une caravane, autocaravane ou de votre maison.
- ▲ La présence de fortes odeurs, ou si vous avez un rhume ou des sinus bouchés, risque de nuire à la détection d'une fuite de propane. Faites preuve de précaution et de bon sens lorsque vous effectuez un test d'étanchéité et recherchez une fuite.
- ▲ La prise d'alcool, de médicaments ou de drogues risque de nuire à l'aptitude de l'utilisateur à assembler ou à utiliser cet appareil en toute sécurité.
- ▲ Votre SkeeterVac® a été vérifié en usine afin de s'assurer que les raccords ne présentent aucune fuite. Vérifier à nouveau tous les raccords en suivant les instructions du chapitre « Fonctionnement » du manuel car il est possible qu'ils se soient desserrés lors du transport.
- ▲ Vérifier que l'appareil ne présente aucune fuite même si ce dernier a été assemblé pour vous par quelqu'un d'autre.
- ▲ Ne pas utiliser le SkeeterVac® en cas de fuite de gaz. Toute fuite de gaz risque de provoquer un incendie ou une explosion.
- ▲ Il est obligatoire de suivre toutes les procédures de détection de fuite avant d'utiliser cet appareil. Afin d'éviter tout risque d'incendie et d'explosion lorsque l'on recherche une fuite :
  - a. Vérifier que le circuit ne présente pas de fuite en effectuant un « test d'étanchéité » avant d'allumer le SkeeterVac® à chaque fois que la bouteille de gaz est branchée afin de l'utiliser.
  - b. Interdiction de fumer. Ne pas utiliser ni laisser de sources d'ignition à proximité du SkeeterVac® lorsque l'on recherche une fuite.
  - c. Effectuer le test d'étanchéité à l'extérieur, en plein air, dans un emplacement bien aéré.
  - d. Ne pas utiliser d'allumettes, de briquets ou de flamme nue afin de rechercher une fuite.
  - e. Ne pas utiliser le SkeeterVac® avant d'avoir réparé toute les fuites.
- ▲ S'il s'avère impossible d'arrêter une fuite, débrancher la bouteille de propane. Contacter un réparateur ou votre fournisseur de bouteilles de propane.
- ▲ Ce SkeeterVac® a été mis au point pour pouvoir fonctionner avec une pression d'alimentation de 10 psi (68,9 kPa)
- ▲ Ne pas utiliser ni entreposer d'essence ou de liquides aux vapeurs inflammables à moins de 25 pieds (7,6 m) de cet appareil.
- ▲ Ne pas utiliser le SkeeterVac® en présence de vapeurs et émanations explosives. Veiller à ce que la zone autour du SkeeterVac® demeure dégagée et dépourvue de matières combustibles, d'essence et d'autres liquides aux vapeurs inflammables.
- ▲ S'assurer que toute matière combustible se trouve toujours à une distance de sécurité minimum de 36 po. (92 cm) cm sur les côtés et derrière le SkeeterVac®. NE PAS utiliser cet appareil sous un toit ou une structure quelconque suspendue, en saillie ou en surplomb au-dessus du SkeeterVac®.
- ▲ La combustion du propane génère du monoxyde de carbone qui peut s'avérer mortel si utilisé dans un lieu fermé.
- ▲ Il est primordial que le compartiment de la soupape de commande du SkeeterVac®, les brûleurs et les passages par où l'air circule demeurent propres. Vérifier le SkeeterVac® avant chaque utilisation.
- ▲ Ne modifier en aucune façon le SkeeterVac®.
- ▲ Ne pas utiliser le SkeeterVac® à moins qu'il ne soit COMPLÈTEMENT assemblé et que les pièces ne soient toutes fixées et serrées.
- ▲ Ce SkeeterVac® doit être vérifié et nettoyé en entier régulièrement. Nettoyer et inspecter le tuyau à chaque fois, avant d'utiliser l'appareil. En cas d'abrasion, d'usure, de coupures ou de fuite, le tuyau doit être remplacé avant que cet appareil ne soit mis en fonctionnement.
- ▲ Utiliser uniquement le régulateur et le tuyau fournis. Le régulateur et le tuyau de rechange doivent être ceux spécifiés par le fabricant.
- ▲ Ne pas tenter de réparer ou de modifier le tuyau et le régulateur si l'utilisateur pense avoir « découvert » un dysfonctionnement. Toute modification entraînera l'annulation de la garantie et présentera un risque de fuite de gaz et d'incendie. Utiliser uniquement des pièces de rechange agréées fournies par le fabricant.
- ▲ Utiliser uniquement des pièces agréées de l'usine Blue Rhino Global Sourcing, Inc. L'emploi de toute pièce non agréée peut être dangereux et entraînera l'annulation de la garantie.
- ▲ Ne pas utiliser cet appareil avant de lire le chapitre « Fonctionnement » de ce manuel.
- ▲ Ne pas installer ni utiliser cet appareil à bord d'un bateau ou d'un véhicule récréatif.
- ▲ Ne pas utiliser le SkeeterVac® dans le coffre d'un véhicule, à bord d'une voiture familiale, d'une camionnette, d'une mini-fourgonnette, d'un véhicule utilitaire sport (VUS) ou d'un véhicule récréatif (VR).
- ▲ Le rendement de l'appareil risque d'être affecté par les conditions météorologiques, le vent et autres conditions ambiantes.
- ▲ Si la température descend en dessous de 5°C (40°F), l'appareil fonctionnera à un rendement moindre.
- ▲ Ne pas accrocher de vêtements ou d'articles inflammables sur le SkeeterVac® ou à proximité de l'appareil.
- ▲ Ne jamais se pencher au-dessus du SkeeterVac® pour l'allumer.
- ▲ Ne pas essayer de déplacer le SkeeterVac® quand il est allumé. Laisser le SkeeterVac® refroidir avant de le déplacer ou de le remiser.
- ▲ Le remisage du SkeeterVac® à l'intérieur est autorisé seulement si la bouteille a été débranchée et retirée de l'appareil et correctement entreposée à l'extérieur.
- ▲ Ne pas tenter de débrancher le régulateur de gaz de la bouteille ou de débrancher une pièce quelconque de l'alimentation du gaz lorsque le SkeeterVac® est allumé.
- ▲ Ne pas utiliser le SkeeterVac® pour se chauffer ou pour cuisiner à l'intérieur. Des émanations TOXIQUES de monoxyde de carbone peuvent s'accumuler et provoquer l'asphyxie.
- ▲ Si à un moment quelconque il s'avère impossible d'allumer le SkeeterVac® et si une odeur de gaz se fait sentir, attendre 5 minutes afin que le gaz se dissipe avant de tenter de rallumer le SkeeterVac®.
- ▲ Le fait de ne pas attendre 5 minutes afin que le gaz se dissipe si le SkeeterVac® ne s'allume pas, risque de provoquer une brusque flambée explosive.

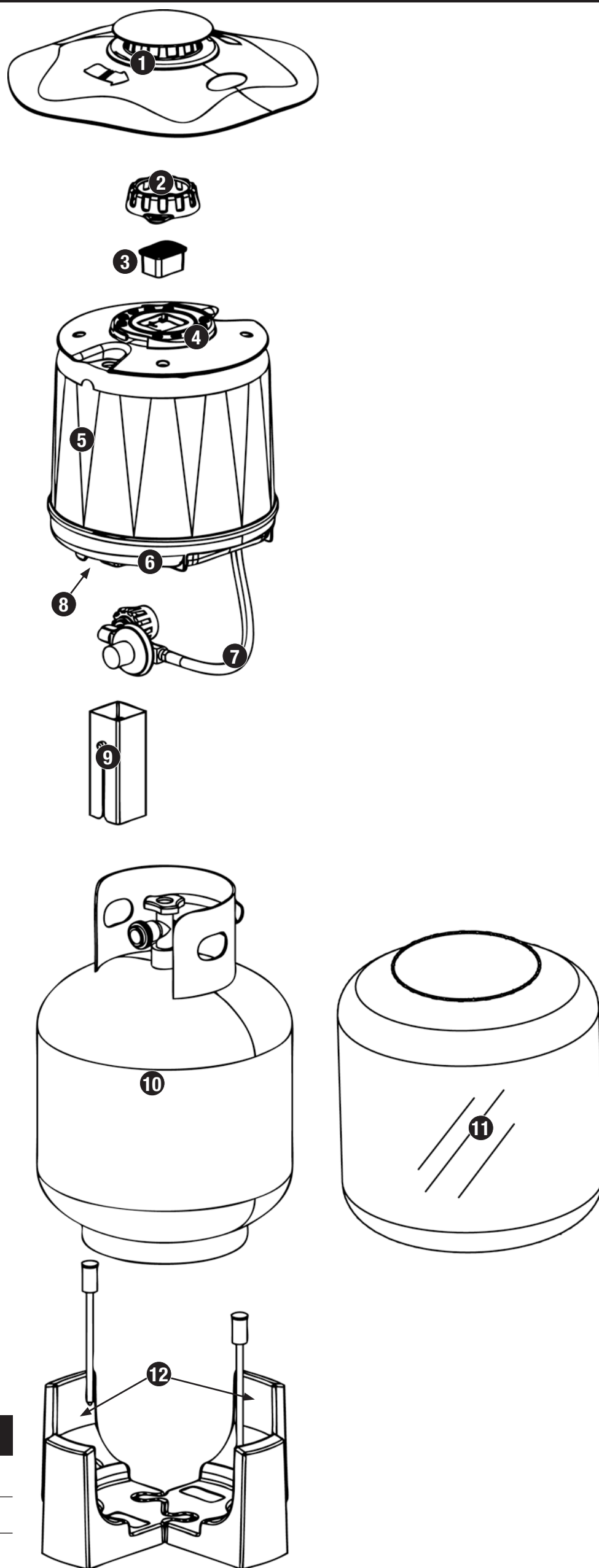
Pour toute assistance, appeler le 1.888.753.7137. Ne pas retourner au point de vente.

- ▲ Après une période de remisage ou si le SkeeterVac® n'a pas été utilisé pour une certaine période, s'assurer qu'il n'y a pas de fuite et que les brûleurs ne sont pas bouchés. Vérifier également que le tuyau ne présente pas de traces d'abrasion, d'usure ou de coupures.
- ▲ Veiller à ce que les orifices d'air demeurent propres, sans poussière, saleté ni débris.
- ▲ Interdire aux enfants d'utiliser le SkeeterVac® ou de jouer à proximité de l'appareil lorsqu'il est en train de fonctionner. S'assurer que l'appareil n'est pas endommagé et ne comporte pas de traces d'usure à chaque opération de maintenance et d'entretien.

- ▲ Il est recommandé d'utiliser uniquement la substance attractive pour moustiques FineTune® avec le SkeeterVac®. Cet appareil n'a pas été testé avec d'autres attractifs et leur emploi rendra la garantie nulle et non avenue.
- ▲ Porter des gants de protection pour assembler cet article.
- ▲ Ne pas forcer les pièces les unes dans les autres afin d'éviter toute blessure et éviter d'endommager cet article.
- ▲ Les consignes ci-dessus doivent être strictement respectées et le non-respect de ces consignes risque de provoquer des dégâts matériels ou d'entraîner des blessures graves voire la mort.

Liste des pièces		
1	Couvercle de protection contre la pluie	57-04-556
2	Anneau FineTune®	57-04-194
3	Appât pour insectes FineTune®	CPSX000052
4	Capot	57-04-209
5	Piège TacTrap™	CPSX000069
6	Moteur	57-04-091
7	Régulateur et tuyau	57-07-543
8	Capuchon de la pile	57-07-103
9	Mât	57-04-573
10	Bouteille de propane (non fournie)	
11	Housse de la bouteille de propane	57-04-302
12	Socle (2)	57-04-576

### Vue éclatée



### Quincaillerie

A	Piquet	Niquelé, ø8x180	2 pcs
B	Pile AA		1 pc

## Directives d'assemblage

1

### NE PAS RETOURNER AU MAGASIN AVEC CET ARTICLE.

Pour toute assistance technique, appelez le numéro sans frais **1.800.762.1142**. Faites en sorte que votre manuel d'utilisation et le modèle numéro soient à portée de main afin de pouvoir vous y référer.

*Remarque:* Le numéro du modèle se trouve sur le côté du moteur.

Pour faciliter l'assemblage:

- Pour éviter de perdre des petites pièces ou la quincaillerie d'installation, assemblez cet article sur une surface dure et plane qui ne comporte pas de trous ni de fissures.
- Prévoyez une surface de travail suffisamment grande afin d'étaler toutes les pièces et la quincaillerie d'installation.
- Lorsque nécessaire, serrez toute les fixations et la visserie en premier, puis une fois l'étape terminée, serrez-les complètement.
- Suivez toutes les étapes dans l'ordre afin d'assembler correctement cet article.

Pour effectuer l'assemblage, vous aurez besoin des choses suivantes:

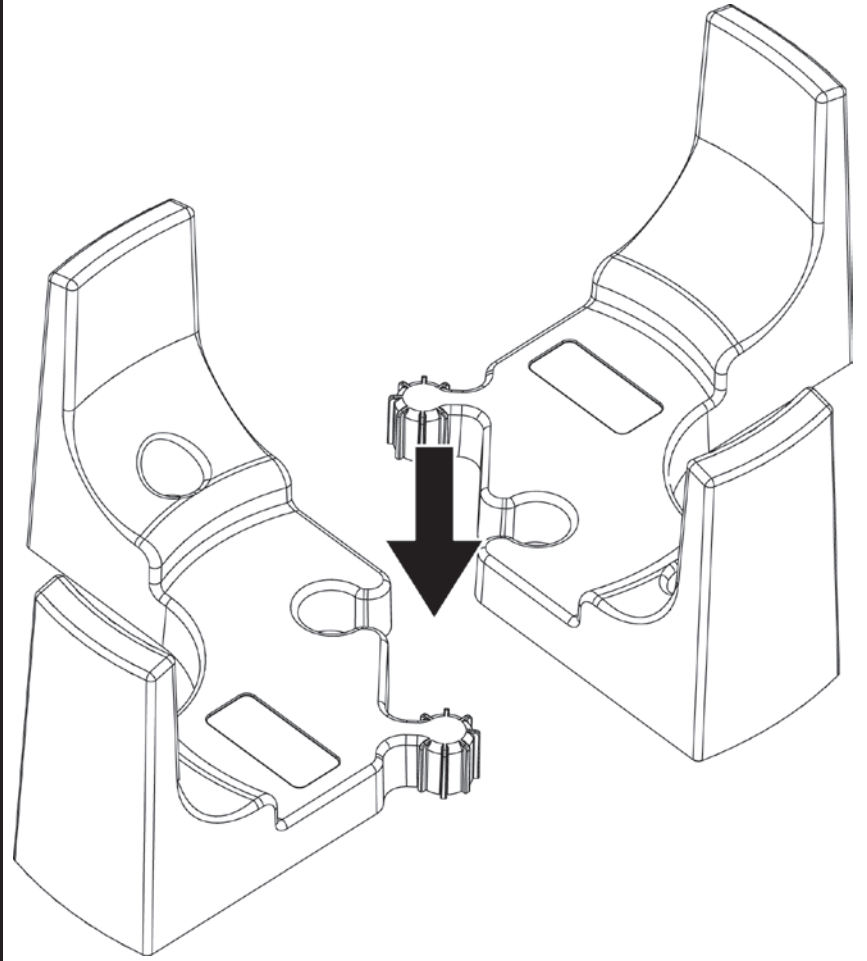
- une (1) solution de détection de fuites (voir instructions sur la préparation de la solution au chapitre « Fonctionnement »).
- une (1) bouteille de propane liquide pour barbecue (de 15 à 19 litres) remplie avec précision avec raccord de robinet à filetage externe Acme de type 1.

Temps d'assemblage approximatif: environ 15 minutes.

2

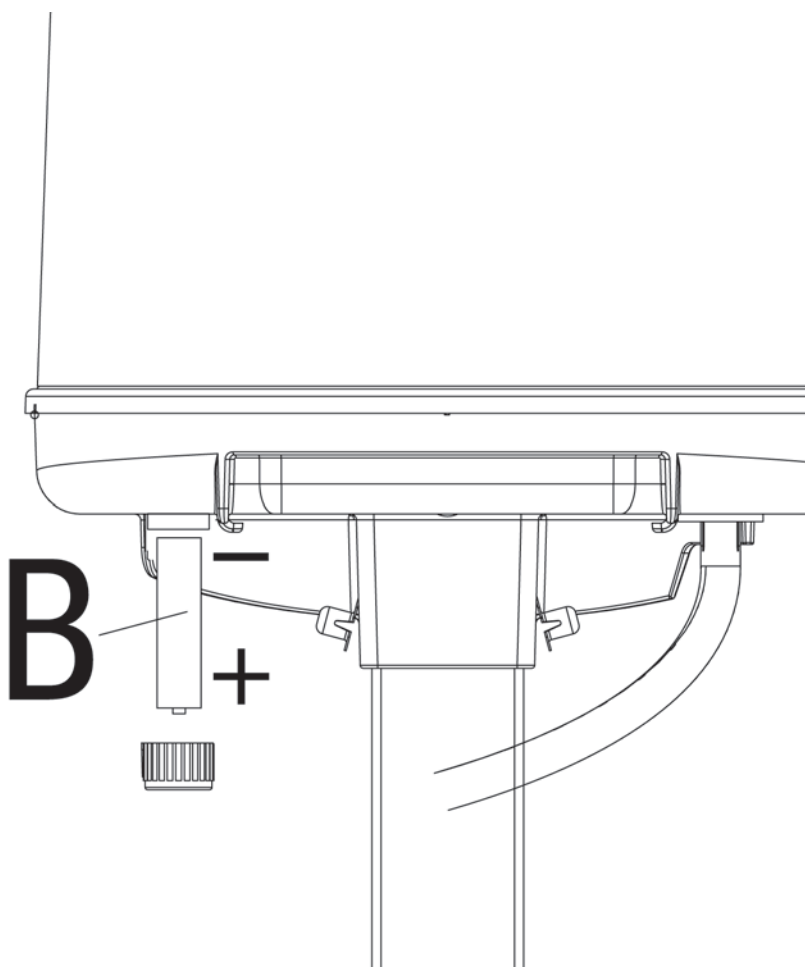
### Assembler le socle

Glissez les deux parties l'une dans l'autre jusqu'à ce qu'elles s'imbriquent.



3

### Insérez la pile



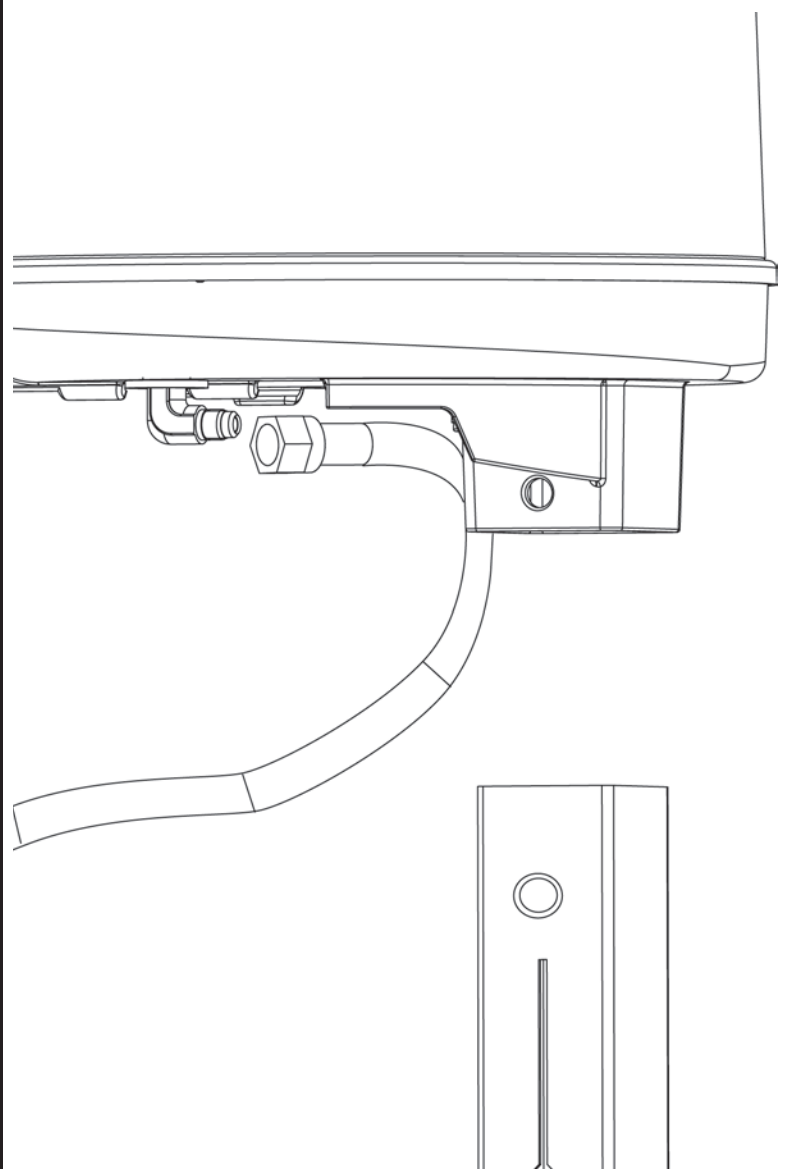
B



x 1

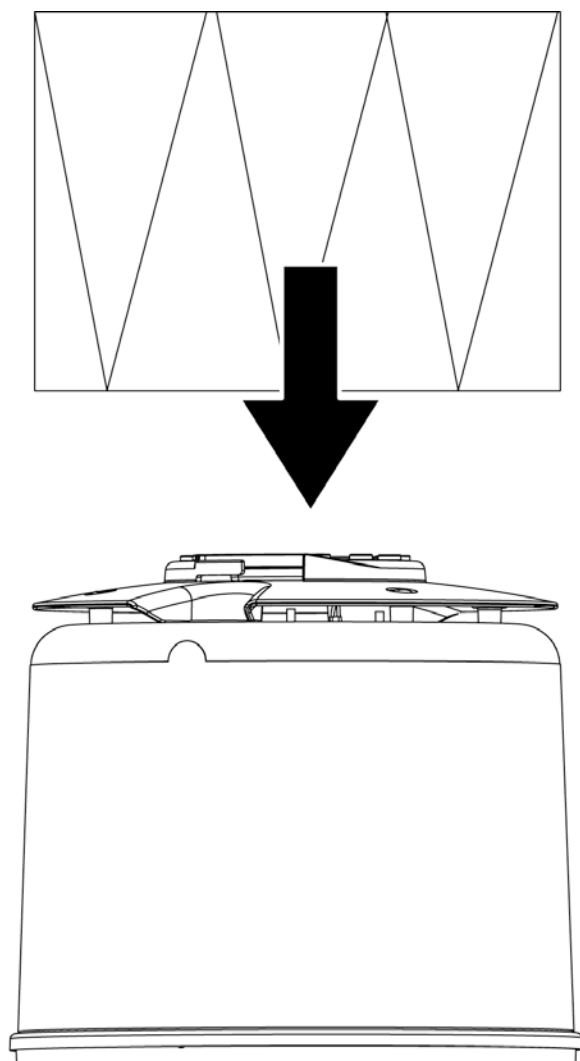
4

### Fixez le moteur



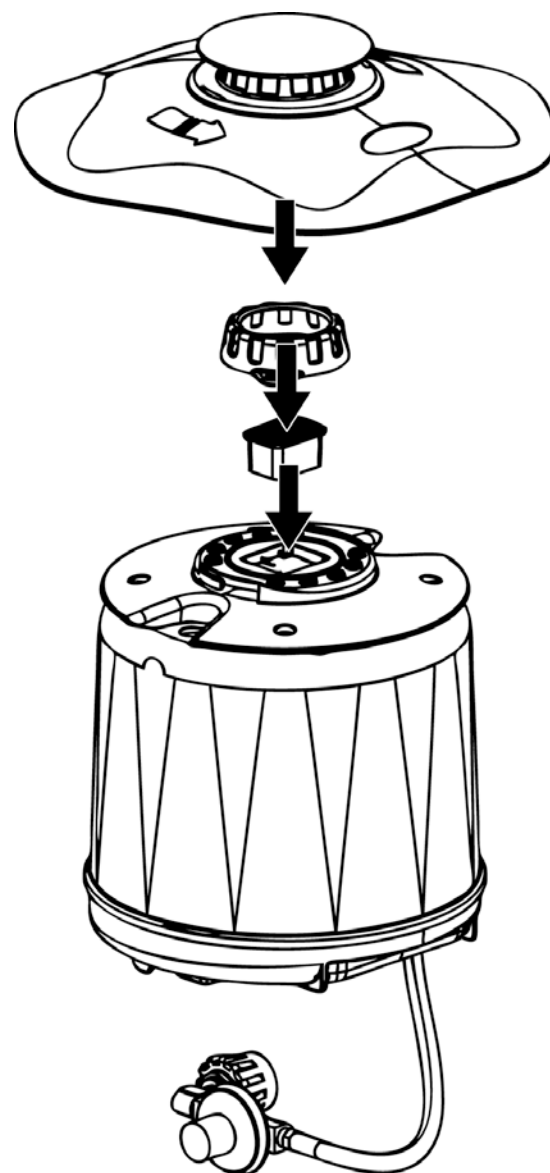
5

Fixez le piège TacTrap™



6

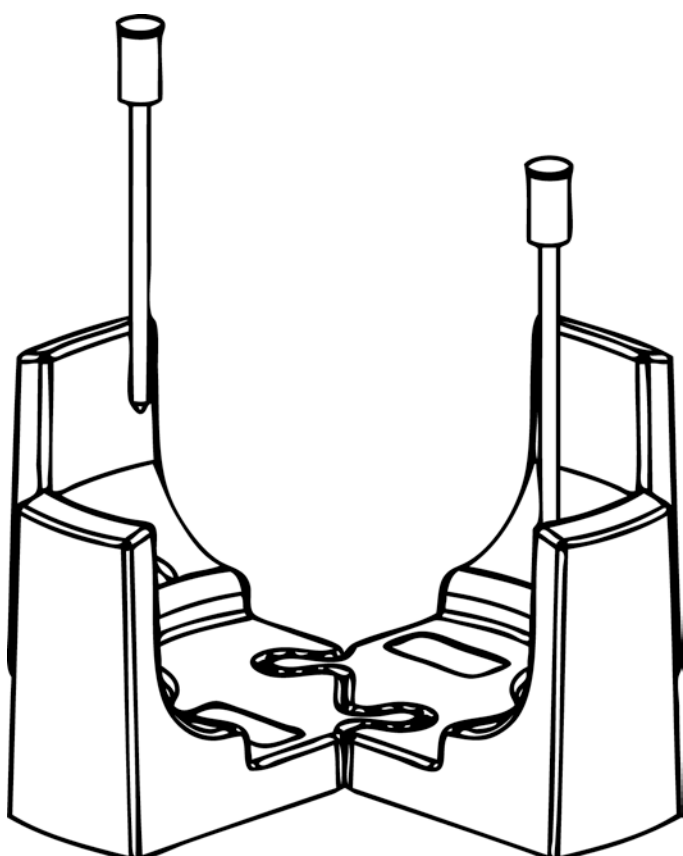
Insérez et fixez l'appât FineTune®

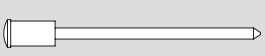


7

Insérez les piquets

Remarque: Placez le SkeeterVac® à l'endroit où vous souhaitez l'installer et enfoncez les piquets dans le sol.



A  x 2

## Installer la bouteille de propane

Il est nécessaire de raccorder une bouteille de propane standard de 20 livres (9 kg) pour barbecue avec filetage externe. Utilisez uniquement une bouteille de propane de 9 kg (20 lbs.) approuvée par Transports Canada avec un col complètement intact.

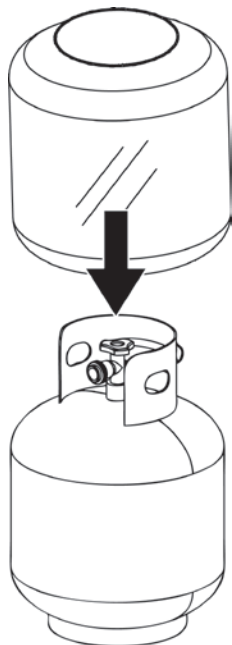
*Remarque:* Une bouteille de propane standard vide pour barbecue pèse environ 18 livres (8,1 kg). Une bouteille de propane standard pour barbecue remplie avec précision ne devrait pas peser plus de 38 livres (17,2 kg).

**⚠ Attention: La bouteille de propane doit être correctement débranchée et retirée avant de déplacer ce SkeeterVac®.**



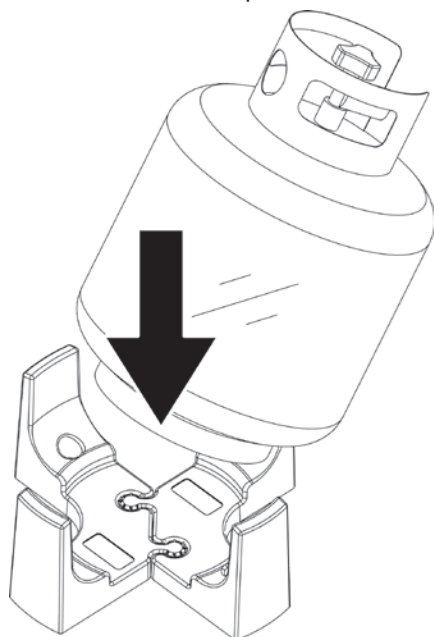
## Placer la housse de la bouteille de propane

Placez la housse de la bouteille de propane sur la bouteille.



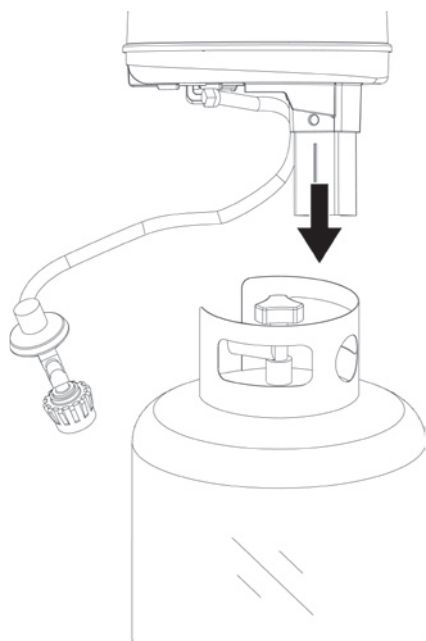
## Insérer la bouteille de propane

Placez une bouteille de propane pleine remplie avec précision debout dans l'ouverture du SkeeterVac® pour que le circuit soit établi afin de permettre l'extraction des vapeurs de gaz.



## Fixer la bouteille de propane

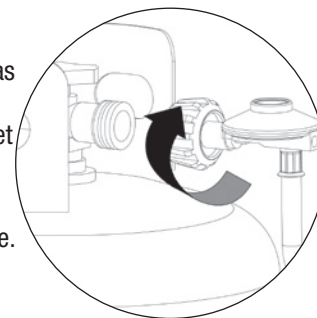
Fixez la bouteille de propane en faisant passer la chaîne de retenue de la bouteille par-dessus le col de la bouteille.



## Brancher la bouteille de propane

Avant de procéder au branchement, assurez-vous qu'il n'y a pas de débris au niveau de la tête de la bouteille de propane, de la tête du robinet du régulateur ainsi que dans la tête du brûleur et dans les orifices du brûleur.

Raccordez le tuyau de gaz à la bouteille en tournant le bouton dans le sens des aiguilles d'une montre jusqu'à ce qu'il s'arrête.

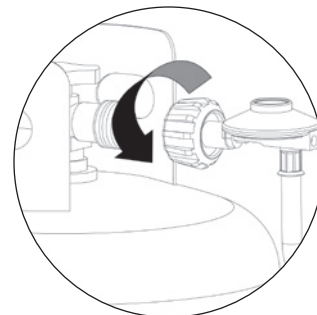


## Débrancher la bouteille de propane

Avant de débrancher la bouteille, assurez-vous que le robinet de la bouteille de propane est fermé.

Débranchez le tuyau de gaz de la bouteille en tournant le bouton dans le sens inverse à celui des aiguilles d'une montre jusqu'à ce qu'il soit desserré.

**⚠ Attention: La bouteille de propane doit être correctement débranchée et retirée avant de déplacer ce SkeeterVac®.**



**Vous avez besoin d'une bouteille de gaz?** Essayez notre service d'échange de bouteilles de gaz. C'est un service facile, rapide, sans danger et présent dans des dizaines de milliers de points de vente partout dans le pays. Achetez une bouteille neuve ou échangez votre bouteille vide contre une bouteille déjà remplie avec précision.

## Informations importantes concernant les moustiques

### Information importante

Votre SkeeterVac® fonctionne 24 heures par jour afin de réduire la nuisance des moustiques. Il attire les moustiques femelles à la recherche d'un repas de sang afin de nourrir leurs oeufs. En exterminant la majorité des moustiques femelles vous éliminerez également leurs oeufs.

Cet appareil, s'il est utilisé conformément aux instructions, pourra:

- Attirer, piéger et tuer les moustiques.

Cet appareil *ne peut pas*:

- Éliminer complètement toutes les populations de moustiques.
- Éliminer la possibilité qu'une maladie se propage par l'intermédiaire des moustiques.
- Pour de meilleurs résultats, laissez votre appareil SkeeterVac® fonctionner en permanence. Remplacez immédiatement la bouteille de propane lorsqu'elle est vide.
- Commencez à utiliser votre SkeeterVac® une fois que la température extérieure la plus basse demeurera supérieure à 50°F (10°C).
- Pour réduire et contrôler les populations de moustiques, il est primordial que votre SkeeterVac® fonctionne en permanence. Ne fermez pas le robinet de gaz de la bouteille de propane avant que votre SkeeterVac® ne s'éteigne, puis remplacez immédiatement la bouteille de propane lorsqu'elle est vide par un bouteille pleine.
- Veillez à toujours contacter nos experts avant de ramener un appareil au point de vente où vous l'avez acheté.

### Information importante concernant l'octénol

Votre SkeeterVac® est fourni avec un appât contenant de l'octénol (1-octen-3-ol). Ce pesticide est un attractif supplémentaire pour certaines espèces de moustiques.

#### GARDER HORS DE LA PORTÉE DES ENFANTS

**⚠ ATTENTION: Nocif ou mortel si avalé, absorbé par la peau ou respiré. Éviter tout contact avec la peau, les yeux et la bouche. Se lave les mains complètement avec de l'eau et du savon après tout contact.**

### Des données intéressantes sur les moustiques

- Il existe environ 3000 espèces de moustiques connues dans le monde. Il existe environ 150 espèces en Amérique du Nord.
- Il existe environ 25 espèces de moustiques "nuisants" pour les humains.
- La durée de vie de la plupart des moustiques est de 2 à 4 semaines.
- Ce sont uniquement les moustiques femelles qui piquent.



## Informations importantes concernant les moustiques (suite)

### Comment contrôler les moustiques

Après avoir correctement installé un appareil SkeeterVac®, vous pouvez également réduire la prolifération des moustiques autour de votre maison en réduisant toute présence d'eau stagnante sur votre propriété. En effet, les moustiques peuvent proliférer dans toute flaque d'eau si elle est présente pendant plus de 4 jours.

- Jetez les boîtes et canettes de boissons, les contenants en plastique, les pots de fleurs et autres récipients capables d'accumuler de l'eau sur votre propriété.
- À l'aide d'une perceuse, percez des trous dans le fond des récipients que vous comptez laisser à l'extérieur tels que les sacs poubelles, les bennes et conteneurs destinés aux matières recyclables, etc.
- Nettoyez les gouttières de toit qui sont bouchées au moins une fois par an.
- Placez à l'envers les bassins de jardin en plastique lorsque vous ne les utilisez pas.
- Retournez les brouettes, les pots de fleurs vides ainsi que les jouets pour enfants lorsque vous ne les utilisez pas.
- Assurez-vous que l'eau des bains pour oiseaux ne demeure pas stagnante.
- Aérez les pièces d'eau décoratives ou placez-y des poissons.
- Nettoyez et mettez du chlore dans les piscines qui ne sont pas en train d'être utilisées. N'oubliez pas que les moustiques peuvent proliférer dans l'eau qui s'accumule sur les bâches protectrices des piscines.
- Faites en sorte que l'eau draine du terrain afin d'éliminer toute accumulation d'eau dans les zones basses de votre propriété.

### Liens pratiques

Pour plus de renseignements concernant les moustiques aux États-Unis et au Canada, consultez les sites internet suivants:

- The American Mosquito Control Association (Association de lutte contre les moustiques des États-Unis) <http://www.mosquito.org>
- US Environmental Protection Agency (Agence de protection de l'environnement des États-Unis) <http://www.epa.gov/pesticides/health/mosquitoes>
- National Center for Infectious Diseases (Centre national de lutte contre les maladies infectieuses): <http://www.cdc.gov>
- Canadian Pest Management Regulatory Agency (L'Agence de réglementation de la lutte antiparasitaire): <http://www.hc-sc.gc.ca/pmra-arla/english/pdf/pnotes/mosquitos-e.pdf>

Aucune des agences ci-dessus n'a approuvé l'emploi du SkeeterVac® et leur mention ici n'indique en aucun cas qu'elles le sanctionnent. Ces liens sont indiqués ici à titre d'information uniquement.

## Fonctionnement

### Rechercher une fuite potentielle

#### Raccordement du tuyau de gaz à la bouteille

1. Préparez une solution d'environ 80 ml destinée à détecter les fuites en mélangeant un volume de liquide à vaisselle et 3 volumes d'eau.
2. Branchez la bouteille de propane en suivant les instructions « Installer la bouteille de propane ».
3. Ouvrez le gaz en réglant le robinet de la bouteille de propane sur « OPEN » (ouvert).
4. Versez quelques gouttes de la solution sur tous les points de raccordement indiqués par un « X » (voir illustrations 1 et 2).
  - a. Si des bulles apparaissent, fermez le gaz en réglant le robinet de la bouteille de propane sur « CLOSED » (fermé), desserrez le raccord puis rebranchez en vous assurant qu'il est étanche en effectuant un autre test d'étanchéité.
  - b. Si des bulles persistent après plusieurs tentatives, fermez le gaz en réglant le robinet de la bouteille de propane sur « CLOSED » (fermé), débranchez la bouteille en suivant les instructions « Débrancher la bouteille de propane » et appelez le 1.800.753.7137.
  - c. S'il n'y a toujours pas de bulles après une minute, fermez le gaz en réglant le robinet de la bouteille de propane sur « CLOSED » (fermé), essayez la solution et continuez.

Illustration 1

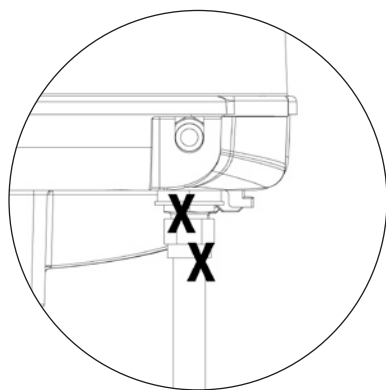
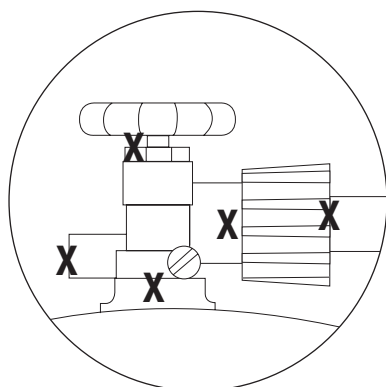


Illustration 2



### Emplacement

Il est indispensable de placer au mieux le SkeeterVac® afin de maximiser son rendement et sa performance. Étant donné que le SkeeterVac® attire les moustiques, placez-le au minimum à 3 mètres de votre surface habitable.

Les moustiques sont typiquement présents dans les zones sombres, mouillées et humides. Déterminez quel est leur habitat principal et placez le SkeeterVac® le plus près possible.

Si vous habitez dans un endroit où il y a une brise constante, placez le SkeeterVac® en amont de l'habitat principal des moustiques.

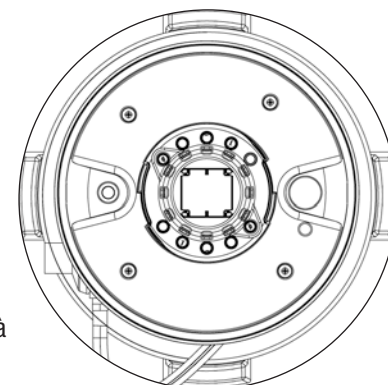
## Fonctionnement (suite)

**⚠ ATTENTION: cet appareil risque de se renverser. Utiliser des piquets pour le fixer.**

Après avoir déterminé l'emplacement du SkeeterVac®, fixez-le au sol en plantant un piquet dans chacun des deux (2) pieds à l'avant.

Pour une performance optimale, il est probable que vous devrez déplacer le SkeeterVac® de temps à autre. Pour déplacer l'appareil, retirez les piquets et soulevez le SkeeterVac® en le saisissant par le mât. Placez l'appareil à son nouvel emplacement et plantez à nouveau les piquets.

Illustration 3a



Puissance de l'appât: complètement ouvert

### FineTune®: Déterminer la puissance attractive de l'appât:

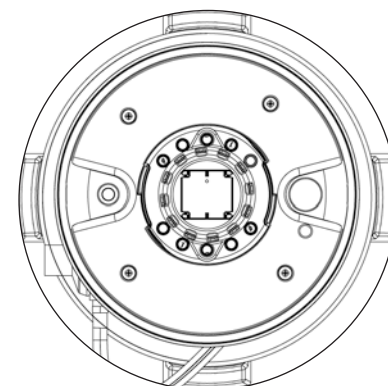
La quantité d'octénol libérée par votre appareil SkeeterVac® est importante car elle sert à maximiser la performance de l'appareil. Certains moustiques sont très attirés par l'octénol alors que d'autres le sont moins.

Ce produit possède une caractéristique exclusive facile à utiliser vous permettant de régler la dose d'octénol que libère l'appareil selon l'espèce de moustique que vous comptez piéger.

Remarque: l'appât dure environ 60 jours.

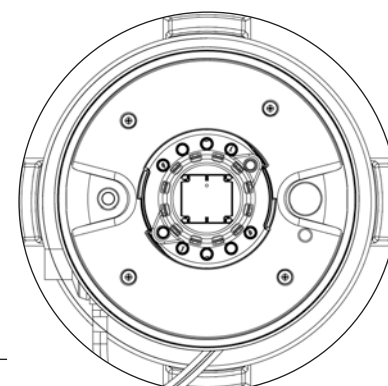
1. Retirez le couvercle de protection contre la pluie en tournant dans le sens inverse à celui des aiguilles d'une montre.
2. Retirez le papier aluminium de l'appât pour insectes Finetune®.
3. Remplacez l'appât Finetune® dans le porte-appât avec les trous vers le haut.
4. Remettez en place le couvercle de l'appât Finetune®.
5. Choisissez la puissance de l'appât en réglant la position du couvercle de l'appât Finetune®. (Illustrations 3a, 3b et 3c).
6. Remettez en place le couvercle de protection contre la pluie en le tournant dans le sens des aiguilles d'une montre.

Illustration 3b



Puissance de l'appât: à moitié ouvert

Illustration 3c



Puissance de l'appât: fermé

### Allumer l'appareil

**⚠ Attention: Assurez-vous que la zone autour de l'appareil demeure dégagée et dépourvue de matières combustibles, d'essence ainsi que de liquides et autres vapeurs inflammables.**

**⚠ Attention: Ne pas bloquer ni empêcher le débit d'air de combustion ni de ventilation.**

1. Lisez les instructions avant de procéder à l'allumage.
2. Retirez le couvercle de protection contre la pluie en le tournant dans le sens inverse à celui des aiguilles d'une montre.
3. Ouvrez le robinet de gaz sur la bouteille de propane.
4. Pressez et maintenez IMMÉDIATEMENT le bouton de l'allumeur jusqu'à vous entendiez un claquement indiquant que l'allumage viens de s'effectuer. Cela prend environ 20 secondes. (Illustration 4).
5. L'aiguille calibre du moteur devrait commencer à se déplacer vers la zone « verte » ceci qui indique que l'allumage a bien été effectué.

**⚠ ATTENTION: Si le moteur ne s'allume pas, fermer le robinet de gaz de la bouteille de propane et attendre 5 minutes avant de tenter à nouveau de le mettre en marche.**

### Éteindre l'appareil

1. Fermez le gaz en réglant le robinet de la bouteille de propane sur « CLOSED » (fermé).  
Remarque: Vous entendrez un son étouffé, ceci est normal, il s'agit du reste du gaz venant de se consumer.
  2. Débranchez la bouteille en suivant les instructions « Débrancher la bouteille de propane ».
- ⚠ ATTENTION: Fermer le robinet de gaz de la bouteille de propane si cet appareil de plein air n'est pas utilisé.**

## Nettoyage et entretien

- ▲ **ATTENTION: Tout nettoyage et entretien doit être effectué lorsque le SkeeterVac® est froid au toucher et après avoir débranché la bouteille de propane.**
- ▲ **ATTENTION: NE JAMAIS placer une pièce quelconque du SkeeterVac® dans un four autonettoyant.**
- ▲ **ATTENTION: Nettoyer et inspecter complètement ce SkeeterVac® à intervalles réguliers.**

### Avis

1. Cet appareil doit être vérifié et nettoyé en entier régulièrement.
2. N'utilisez pas de produits de nettoyage abrasifs car ils risquent d'endommager l'appareil.
3. N'utilisez jamais de produit à nettoyer les fours sur une pièce quelle qu'elle soit de l'appareil.

### Avant chaque utilisation:

1. Assurez-vous que la zone autour du SkeeterVac® demeure dégagée et dépourvue de matières combustibles, d'essence et d'autres liquides et vapeurs inflammables.
2. Ne pas bloquer ni empêcher le débit d'air de combustion du propane ni de ventilation.
3. Assurez-vous que les ouvertures de ventilations ne comportent aucun débris.
4. Reportez-vous aux « instructions de nettoyage » pour la procédure de nettoyage recommandée.

## Instructions de nettoyage / Entretien de routine

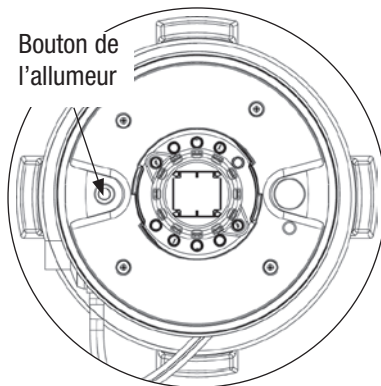
Pour une performance optimale et afin d'assurer la pérennité de votre appareil SkeeterVac®, suivez les étapes suivantes à chaque fois que votre bouteille de gaz est vide. Ce modèle consommera une bouteille de propane standard de 20 lbs (9 kg) tous les 15 à 18 jours.

Remarque: Lorsque vous utilisez l'appareil, vérifiez les points suivants tous les 2 à 3 jours :

- Vérifiez le compartiment WaveDrawer™ et nettoyez-le (si nécessaire).
- Assurez-vous que rien ne bloque ni ne gêne le débit d'air au niveau des orifices laissant passer l'air.

1. Tournez le robinet de gaz sur la bouteille de propane afin de fermer l'arrivée de gaz.
2. Débranchez le tuyau et le régulateur de la bouteille en tournant le bouton dans le sens inverse à celui des aiguilles d'une montre.
3. Retirez la bouteille vide, remplacez-la par une bouteille de propane pleine.
4. Retirez le compartiment WaveDrawer™, videz-le et nettoyez-le.
5. Remettez en place le compartiment WaveDrawer™ en le glissant.
6. Retirez le piège TacTrap™ et jetez-le comme il se doit.
7. Placez un nouveau piège TacTrap™ et retirez le papier protecteur.
8. Retirez le couvercle de l'appât Finetune® en le tournant dans le sens inverse à celui des aiguilles d'une montre.
9. Retirez l'appât Finetune® usé (si nécessaire) et jetez-le comme il se doit.  
Remarque: l'appât Finetune® dure environ 60 jours.
10. Retirez l'appât Finetune® neuf de l'emballage (si nécessaire). Jetez l'emballage comme il se doit.
11. Placez le nouvel appât Finetune® dans le porte-appât avec les trous vers le haut.
12. Remettez en place le couvercle de l'appât Finetune®.
13. Choisissez la puissance de l'appât en réglant la position du couvercle de l'appât Finetune®.
14. Vérifiez le moteur et les conduites de gaz afin de vous assurer qu'elles ne sont pas endommagées et qu'aucune pièce ne s'avère manquante. Réparez et corrigez tout problème avant de tenter de mettre en marche l'appareil.
15. Rebranchez le tuyau de gaz à la bouteille de propane en la tournant dans le sens des aiguilles d'une montre.
16. Retirez la housse de la bouteille de propane vide et placez-le sur la bouteille de propane pleine.
17. Effectuez le test d'étanchéité.
18. Commencez à suivre les instructions intitulées « Allumer l'appareil ».
19. Lavez-vous les mains à l'eau et au savon.

Illustration 4

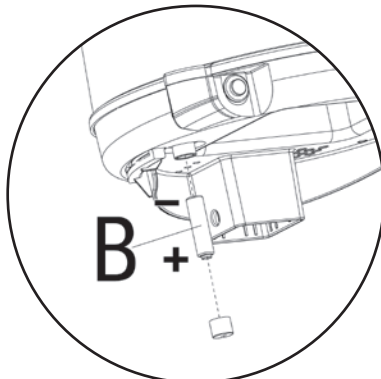


## Remplacer la pile de l'allumeur

Si vous n'entendez pas un claquement lorsque vous pressez le bouton d'allumage, la pile est sans doute déchargée. Remplacez la pile comme suit:

1. Tournez le robinet de gaz sur la bouteille de propane afin de fermer l'arrivée de gaz.
2. Ouvrez le compartiment à pile en tournant le capuchon de la partie inférieure du moteur dans le sens inverse à celui des aiguilles d'une montre.
3. Retirez la pile usée et jetez-la comme il se doit.
4. Insérez une nouvelle pile AA dans le compartiment en introduisant le pôle négatif (-) en premier. (Illustration 5).

Illustration 5



5. Fixez solidement le capuchon en tournant dans le sens des aiguilles d'une montre jusqu'à ce qu'il se bloque.
6. Commencez à suivre les instructions intitulées « Allumer l'appareil ».

## Remisage de fin de saison

Pour prolonger la durée de vie de votre appareil SkeeterVac®, suivez ces simples consignes à la fin de la saison:

1. Fermez le gaz en réglant le robinet de la bouteille de propane sur « CLOSED » (fermé).
2. Débranchez la bouteille en suivant les instructions « Débrancher la bouteille de propane ».
3. Retirez la housse de la bouteille de propane.
4. Retirez la bouteille de propane.
5. Placez le bouchon cache-poussière sur la bouteille de propane et remisez-la à l'extérieur, dans un endroit bien aéré, à l'écart des rayons directs du soleil.
6. Retirez et jetez le piège TacTrap™ et l'appât FineTune® comme il se doit.
7. Recouvrez votre appareil SkeeterVac® afin de le protéger contre la poussière et rangez-le dans un endroit frais et sec.

- ▲ **Attention: Il est permis d'entreposer un appareil à gaz de plein air à l'intérieur uniquement si la bouteille de gaz a été débranchée et retirée de l'appareil.**

## Enregistrement de l'appareil

Pour bénéficier plus rapidement du service offert par la garantie, veuillez enregistrer votre appareil immédiatement sur le site internet [www.bluerhino.com](http://www.bluerhino.com) ou appelez le 1.888.753.7137.

## Garantie limitée

La société Blue Rhino Global Sourcing, Inc ("le fabricant") garantit cet article au premier acheteur au détail et à aucune autre personne, contre tout vice de matériau et de fabrication pendant un (1) an à partir de la date d'achat si cet article est monté et utilisé conformément aux instructions fournies. Le fabricant vous demandera sans doute une preuve raisonnable d'achat datée, veuillez donc conserver votre facture ou votre reçu. Cette garantie limitée se limitera à la réparation ou au remplacement de pièces ayant été déterminées défectueuses par le fabricant lors de conditions d'utilisation et d'entretien normales. Avant de renvoyer une pièce, contactez le service à la clientèle du fabricant (Customer Service Department). Si le fabricant confirme le défaut de fabrication et approuve la réclamation, ce dernier remplacera gratuitement les dites pièces. Si vous devez renvoyer des pièces défectueuses, les pièces devront être expédiés port-payé. Le fabricant s'engage à renvoyer les pièces à l'acheteur port-payé.

Cette garantie limitée ne couvre pas les pannes et dysfonctionnements survenant suite à tout accident, mauvais usage, entretien incorrect de cet article, ou toute modification, mauvaise installation ou négligence comme il a été établi dans ce manuel. De plus, cette garantie limitée ne couvre pas les dommages au fini, à savoir les rayures, les bosses, les traces de décoloration, de rouille ou les dommages résultant des intempéries après achat de l'article. Cette garantie remplace toute autre garantie expresse et il n'existe aucune autre garantie expresse à l'exception de la couverture indiquée ici. Le fabricant désavoue toute garantie couvrant des produits ayant été achetés auprès de revendeurs autres que les revendeurs et distributeurs agréés y compris toute garantie de commerciabilité et d'adaptation à un usage particulier. LE FABRICANT DÉCLINE ÉGALEMENT TOUTE GARANTIE IMPLICITE Y COMPRIS TOUTE GARANTIE DE COMMERCIALITÉ ET D'ADAPTATION À UN USAGE PARTICULIER. LE FABRICANT NE POURRA ÊTRE TENU RESPONSABLE PAR L'ACHETEUR OU UN TIERS POUR TOUS DÉGÂTS ET DOMMAGES PARTICULIERS, INDIRECTS, PUNITIFS OU CONSÉCUTIFS. De plus, le fabricant désavoue toute garantie expresse ou implicite et décline toute responsabilité en cas de défaut de fabrication causés par un tiers.

Cette garantie limitée octroie des droits spécifiques à l'acheteur reconnus par la loi et il est possible que ce dernier en possède d'autres selon sa localité. Certaines juridictions ne permettent pas l'exclusion ni la limitation de dommages consécutifs ou accessoires ni la limitation en temps d'une garantie et ces limitations peuvent ne pas être applicables à tous. Le fabricant ne permet en aucun cas à une personne ou à une société de s'attribuer les responsabilités et les obligations liées à la vente, l'installation, l'utilisation, la dépose ou le remplacement de cet article, et aucune de ces représentations n'engage la responsabilité du fabricant.

Blue Rhino Sourcing, Inc  
Winston-Salem, North Carolina 27104, États-Unis  
1.888.753.7137

## Guide de dépannage

Problème	Cause possible	Solution	
<b>Le SkeeterVac® ne se met pas en marche.</b>	La bouteille de propane est vide ou presque vide.	Remplacez la bouteille de propane.	
	Fuite de propane.	Suivez les instructions du paragraphe « Recherche une fuite potentielle ».	
	L'allumeur ne fonctionne pas.	<ol style="list-style-type: none"> <li>1. Fermez le robinet de gaz de la bouteille de propane en suivant les instructions du paragraphe « Éteindre l'appareil ».</li> <li>2. Pressez le bouton de l'allumeur (voir figure 4) <ol style="list-style-type: none"> <li>a. Si vous entendez un déclic cela signifie que l'allumeur fonctionne.</li> <li>b. Si vous n'entendez pas de déclic, remplacez la pile. Si l'appareil ne fonctionne toujours pas, appelez le Service à la clientèle au 1.888.753.7137</li> </ol> </li> </ol>	
	Il y a trop d'air dans le tuyau.	<ol style="list-style-type: none"> <li>1. Branchez la bouteille de propane en suivant les instructions du paragraphe « Brancher la bouteille de propane ».</li> <li>▲ <b>Attention: Assurez-vous que la zone autour de l'appareil demeure dégagée et dépourvue de matières combustibles, d'essence et d'autres liquides et vapeurs inflammables.</b></li> <li>2. Tournez lentement le robinet de la bouteille de propane sur « OPEN » (ouvert).</li> <li>3. Pressez et maintenez pressé le bouton de commande jusqu'à 3 minutes si nécessaire.</li> <li>4. Essayez d'allumer le SkeeterVac® toutes les 30 secondes en suivant les instructions du paragraphe « Allumer l'appareil » jusqu'à ce que vous entendiez un claquement indiquant que l'allumage vient de se produire.</li> <li>5. Si l'appareil ne fonctionne toujours pas, reportez-vous à la case « Remettre le régulateur à zéro » de ce guide.</li> </ol>	
	Le filtre est bouché.	<ol style="list-style-type: none"> <li>1. Fermez le robinet de gaz de la bouteille de propane en suivant les instructions du paragraphe « Éteindre l'appareil ».</li> <li>2. Débranchez la bouteille de propane en suivant les instructions du paragraphe « Débrancher la bouteille de propane ».</li> <li>3. Retirez le régulateur et son tuyau du moteur du SkeeterVac®.</li> <li>4. Retirez le filtre.</li> <li>5. Rebranchez le régulateur et son tuyau sur le moteur du SkeeterVac®.</li> <li>6. Effectuez un test d'étanchéité en suivant les instructions du paragraphe « Recherche une fuite potentielle ».</li> <li>7. Allumez le SkeeterVac® en suivant les instructions du paragraphe « Allumer l'appareil ».</li> </ol>	
	Remettre le régulateur à zéro.	<ol style="list-style-type: none"> <li>1. Fermez le robinet de gaz de la bouteille de propane en suivant les instructions du paragraphe « Éteindre l'appareil ».</li> <li>2. Débranchez la bouteille de propane en suivant les instructions du paragraphe « Débrancher la bouteille de propane ».</li> <li>3. Après 30 secondes, rebranchez la bouteille de propane en suivant les instructions du paragraphe « Brancher la bouteille de propane ».</li> <li>4. Tournez lentement le robinet de la bouteille de propane sur « OPEN » (ouvert).</li> <li>5. Effectuez un test d'étanchéité en suivant les instructions du paragraphe « Recherche une fuite potentielle ».</li> <li>6. Allumez le SkeeterVac® en suivant les instructions du paragraphe « Allumer l'appareil ».</li> </ol>	
<b>Le moteur ne fonctionne pas correctement.</b>	Trop humide ou mouillé.	<ol style="list-style-type: none"> <li>1. Branchez la bouteille de propane en suivant les instructions du paragraphe « Brancher la bouteille de propane ».</li> <li>▲ <b>Attention: Assurez-vous que la zone autour de l'appareil demeure dégagée et dépourvue de matières combustibles, d'essence et d'autres liquides et vapeurs inflammables.</b></li> <li>2. Tournez lentement le robinet de la bouteille de propane sur « OPEN » (ouvert).</li> <li>3. Pressez et maintenez pressé le bouton de commande et le bouton de l'allumeur jusqu'à 3 minutes si nécessaire ou jusqu'à ce que l'aiguille du moteur commence à se déplacer vers la zone « Verte », les voyants se mettront à clignoter et le ventilateur de mise sous vide fonctionnera avec le flux d'air sortant par le bas du moteur indiquant ainsi que l'allumage a bien été effectué.</li> <li>4. Si l'appareil ne fonctionne toujours pas, reportez-vous à la case « Remettre le régulateur à zéro » de ce guide.</li> </ol>	
	La bouteille de propane est vide ou presque vide.	Remplacez la bouteille de propane.	
	Fuite de propane.	Suivez les instructions du paragraphe « Recherche une fuite potentielle ».	
	Les orifices de ventilation sont bouchés.	<ol style="list-style-type: none"> <li>1. Fermez le robinet de gaz de la bouteille de propane en suivant les instructions du paragraphe « Éteindre l'appareil ».</li> <li>2. Débranchez la bouteille de propane en suivant les instructions du paragraphe « Débrancher la bouteille de propane ».</li> <li>3. Vérifiez les orifices de ventilation et l'arrivée d'air afin de vous assurer qu'ils ne comportent pas de débris.</li> <li>4. Nettoyez le SkeeterVac® en suivant les instructions du paragraphe « Nettoyage et entretien ».</li> </ol>	
	<b>Le SkeeterVac® s'éteint soudainement.</b>	Le gaz est épuisé.	Remplacez la bouteille de propane.

Si ces problèmes ne peuvent pas être solutionnés en suivant ces méthodes, veuillez consulter le site [www.bluerhino.com](http://www.bluerhino.com) ou appeler le 1.888.753.7137.

